

# P26 Custom Linear LED Pendant

## Datasheet



### Product codes

Product name:	Length:	Family:	Circuit Wattage:	Colour temp:	Beam angle:	Outer Body:	Driver:
P26	1.2m	LN	10W/m	3K	WF60	White (W0)	ND
	1.5m		20W/m	4K	AS40	Black (B0)	Phase
	2m		30W/m		BW40	Silver (S0)	Dali
	2.4m				DF180		010V
	3m						
	XXm						

### Photometrics

**CCT: 3000K**

**Efficacy (TRU COLOUR):** 89lm/W  
**Efficacy (STANDARD LED):** 120lm/W

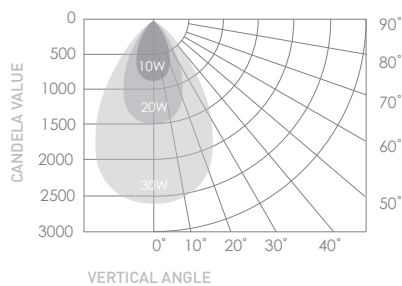
**Source lumen output (TRU COLOUR)**  
**10W/m:** 890lm/m  
**20W/m:** 1780lm/m  
**30W/m:** 2670lm/m

**CCT: 4000K**

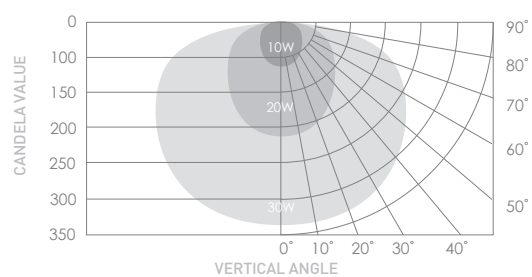
**Efficacy (TRU COLOUR):** 91lm/W  
**Efficacy (STANDARD LED):** 122lm/W

**Source lumen output (TRU-COLOUR)**  
**10W/m:** 910lm/m  
**20W/m:** 1820lm/m  
**30W/m:** 2730lm/m

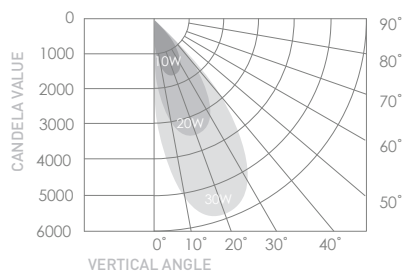
**TRU COLOUR: 89lm/W**  
**Beam angle: WF60°**



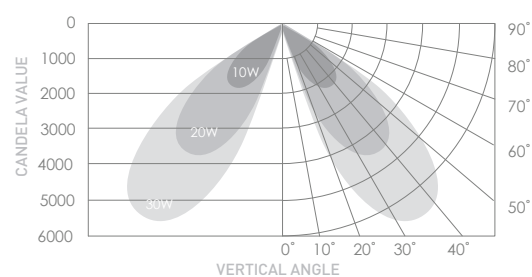
**TRU COLOUR: 89lm/W**  
**Beam angle: DF180°**



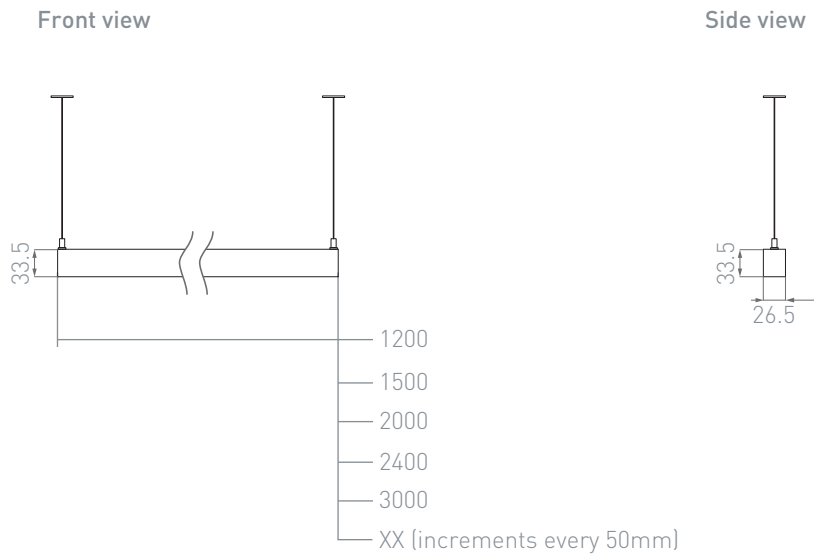
**TRU COLOUR: 89lm/W**  
**Beam angle: AS40°**



**TRU COLOUR: 89lm/W**  
**Beam angle: BW40°**



## Dimensions (mm)



## Electrical

Length	1.2m	1.5m	2m	2.4m	3m	XX
<b>Power Usage</b>						
<b>10W/m</b>	1068lm/ 1092lm 12W	1335lm/ 1365lm 15W	1602lm/ 1638lm 20W	2136lm/ 2184lm 24W	2670lm/ 2730lm 30W	W*(89lm/ 91lm) W=10W*XX
<b>20W/m</b>	2136lm/ 2184lm 24W	2670lm/ 2730lm 30W	3560lm/ 3640lm 40W	4272lm/ 4368lm 48W	5340lm/ 5460lm 60W	W*(89lm/ 91lm) W=20W*XX
<b>30W/m</b>	3204lm/ 3276lm 36W	4005lm/ 4095lm 45W	5340lm/ 5460lm 60W	6408lm/ 6552lm 72W	8010lm/ 8190lm 90W	W*(89lm/ 91lm) W=30W*XX

<b>Dimmable:</b> Yes	<b>Power Usage:</b> 10W/m; 20W/m; 30W/m	<b>Driver power factor:</b> >0.9	<b>Input voltage:</b> 220-265V	<b>IP rating:</b> IP44	<b>Surge protection:</b> 3100V
-------------------------	---	-------------------------------------	-----------------------------------	---------------------------	-----------------------------------

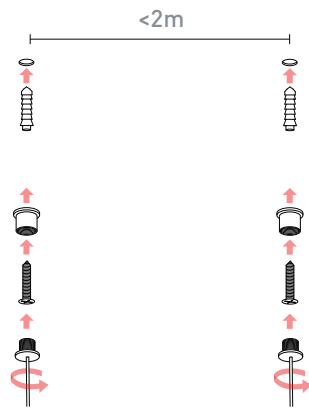
## Operational

<b>Operating temp.:</b> -30 to 85°C	<b>Ambient temp.:</b> -28 to 55°C	<b>Lifetime L70:</b> 10W= 100,000hrs 20W= 80,000hrs 30W= 50,000hrs	<b>Warranty:</b> 7 years of luminaire warranty & 5 years of driver warranty
--	--------------------------------------	---	---

## Compatibility

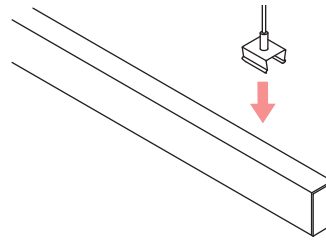
**Dimming:**  
 Non-Dimmable (ND)  
 Digital Driver (PHASE) \*<https://brightgreen.com/digital-driver>  
 DALI (DALI)  
 0-10V (010V)

## Installation



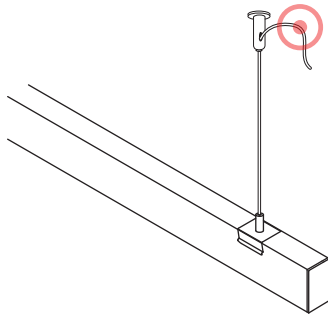
### Step 1

Ensure a suspension cable will be mounted at either end of the pendant. Max gap between suspension points should be  $< 2\text{m}$ , example 3m length uses 3 suspension points.



### Step 2

Snap the suspension cable into the profile.



### Step 3

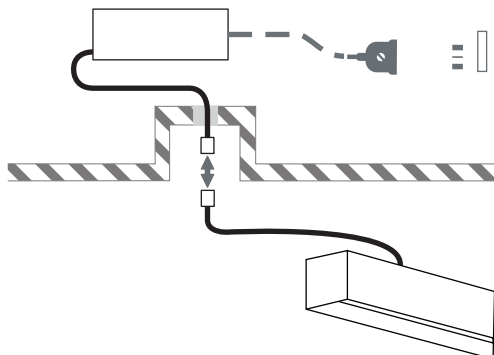
Adjust the luminaire height using the cables retention:

- Suspension cables length 3m
- Power cable length: 2m



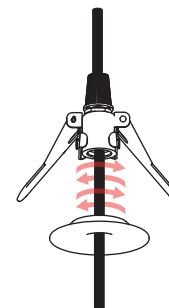
### Step 4

Once the luminaire is suspended cut a 44mm hole in the ceiling.



### Step 6

Remote mount and connect the driver to the mains power cable in line with Australian standards. Wire the low voltage luminaire cable to the driver and then the cable through the hole cutouts.

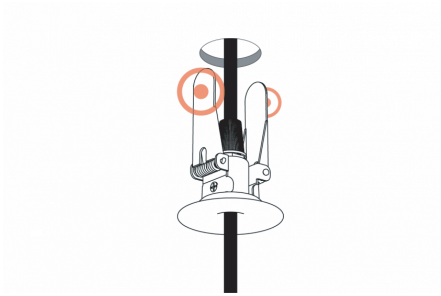


### Step 7

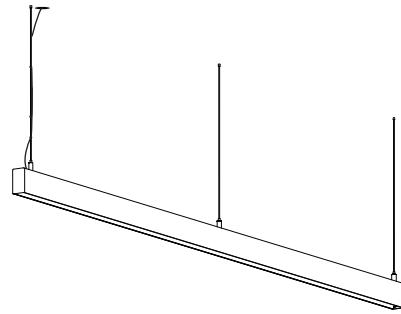
Join the 2 ceiling rose components together by rotating the face plate onto the spring assembly

## Installation

---



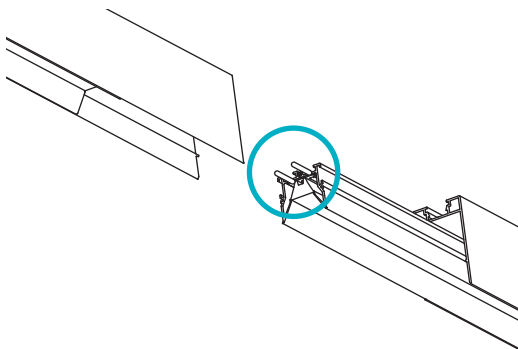
**Step 8**  
Pull back the springs and insert the ceiling rose into the ceiling cavity



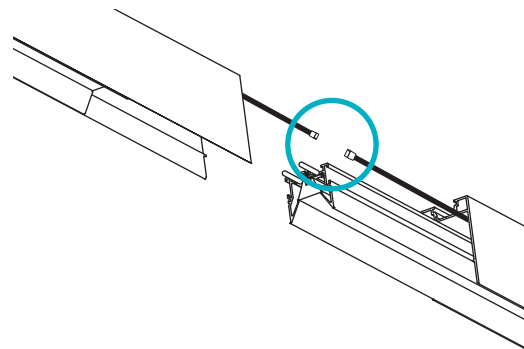
**Step 9**  
Use the zipties provided to route the power cable along the suspension cable.

## Optional

---



**PCB-PCB fast connection**  
Slide the profiles together to electrically connect the lengths. Suitable for 10Wm up to 10m profiles and 20Wm profiles up to 5m.



**CABLE-CABLE fast connection**  
Connect cables together before completing PCB-PCB fast connection step. Suitable for 20Wm profiles above 5m, and 30W profiles above 3m.