

P70 Custom Linear LED Pendant

Datasheet



Product codes

Product name:	Length:	Family:	Circuit Wattage:	Colour temp:	Beam angle:	Outer Body:	Inner Body:	Driver:
P70	1.2m	LN	10W/m	3K	WF60	White (WO)	Silver (SI)	ND
	1.5m		20W/m	4K	AS40	Black (BO)	Black (BI)	Phase
	2m		30W/m		BW40	Silver (SO)		Dali
	2.4m				DF180			010V
	3m							
	xx				UPLIGHT			
					(Optional):			
					DF180			

Photometrics

CCT: 3000K

Efficacy (TRU COLOUR): 89lm/W
Efficacy (STANDARD LED): 120lm/W

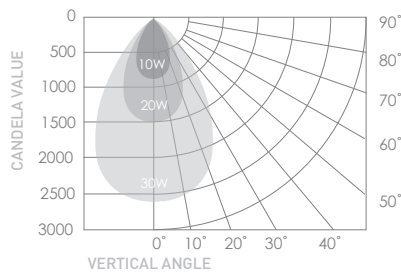
Source lumen output (TRU COLOUR)
10W/m: 890lm/m
20W/m: 1780lm/m
30W/m: 2670lm/m

CCT: 4000K

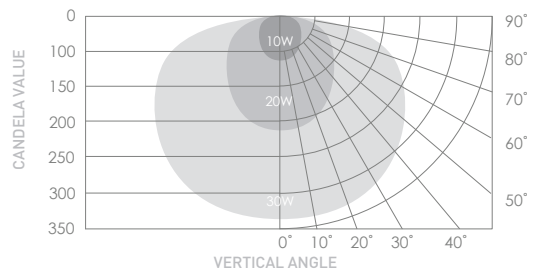
Efficacy (TRU COLOUR): 91lm/W
Efficacy (STANDARD LED): 122lm/W

Source lumen output (STANDARD)
10W/m: 910lm/m
20W/m: 1820lm/m
30W/m: 2730lm/m

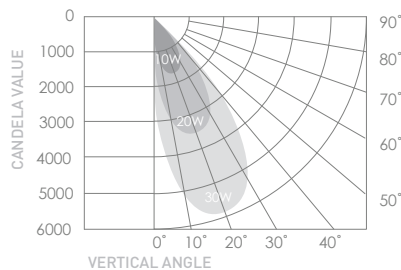
TRU COLOUR: 89lm/W
Beam angle: WF60°



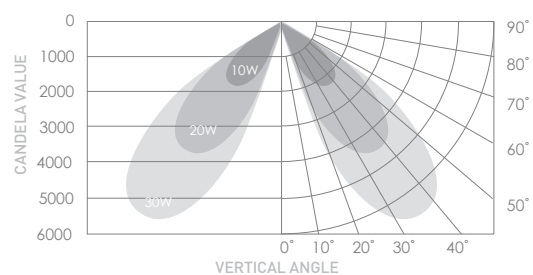
TRU COLOUR: 89lm/W
Beam angle: DF180°



TRU COLOUR: 89lm/W
Beam angle: AS40°



TRU COLOUR: 89lm/W
Beam angle: BW40°



Photometrics

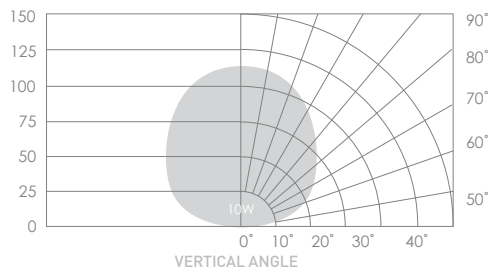
UPLIGHT (Optional)

CCT: 3000K

Efficacy (TRU COLOUR): 89lm/W
Efficacy (STANDARD LED): 120lm/W

Source lumen output (TRU COLOUR)
10W/m: 890lm/m

TRU COLOUR: 89lm/W
Beam angle: DF180°



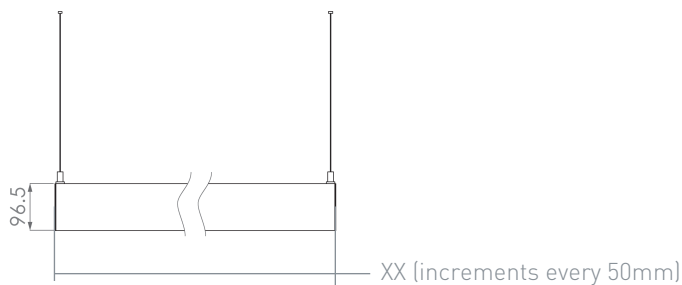
CCT: 4000K

Efficacy (TRU COLOUR): 91lm/W
Efficacy (STANDARD LED): 122lm/W

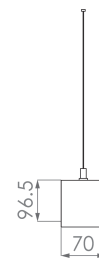
Source lumen output (TRU-COLOUR)
10W/m: 910lm/m

Dimensions (mm)

Front view



Side view



Electrical

Power Usage	Length	XX
10W/m		W*(89lm/ 91lm) W=10W*XX
20W/m		W*(89lm/ 91lm) W=20W*XX
30W/m		W*(89lm/ 91lm) W=30W*XX

Dimmable:
Yes

Power Usage:
10W/m; 20W/m;
30W/m

Driver power factor:
>0.9

Input voltage:
220-265V

IP rating:
IP44

Surge protection:
3100V

Operational

Operating temp.:
-30 to 85°C

Ambient temp.:
-28 to 55°C

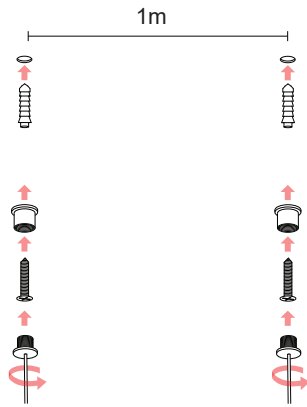
Lifetime L70:
10W= 100,000hrs
20W= 80,000hrs
30W= 50,000hrs

Warranty:
7 years of luminaire warranty
& 5 years of driver warranty

Compatibility

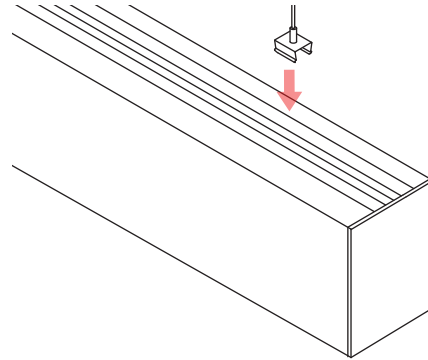
Dimming:
Non-Dimmable (ND)
Digital Driver (PHASE) *<https://brightgreen.com/digital-driver>
DALI (DALI)
0-10V (010V)

Installation



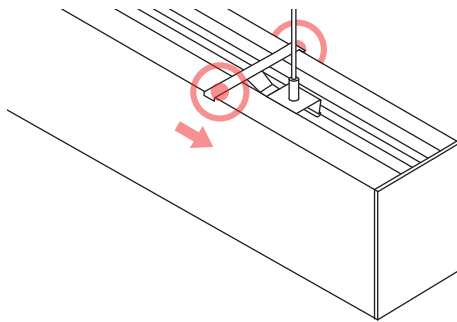
Step 1

Ensure a suspension cable will be mounted at either end of the pendant. Max gap between suspension points should be <math>< 1\text{m}</math>, example 3m length uses 3 suspension points.



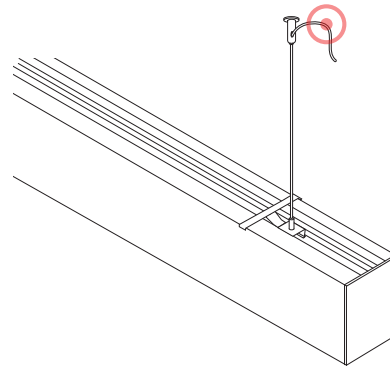
Step 2

Snap the suspension cable into the profile.



Step 3

Slide the snap lock in both ends of the pendant.



Step 4

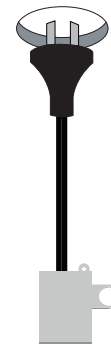
Adjust the luminaire height using the cables retention:

- Suspension cables length 3m
- Power cable length: 2m



Step 5

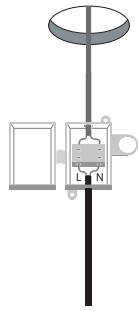
Once the luminaire is suspended cut a 44mm hole in the ceiling.



Step 6A

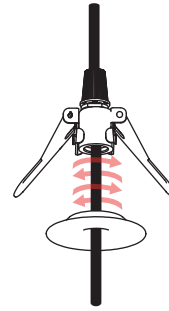
Plug the driver into a mounted general power outlet (GPO) in the ceiling.

Installation



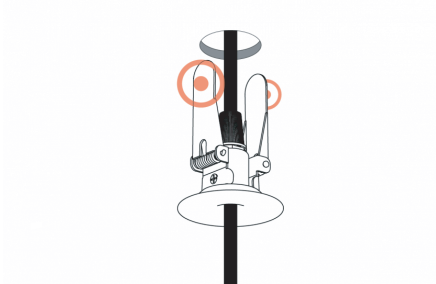
Step 6B

Thread the power cable through the ceiling and connect to the junction box.



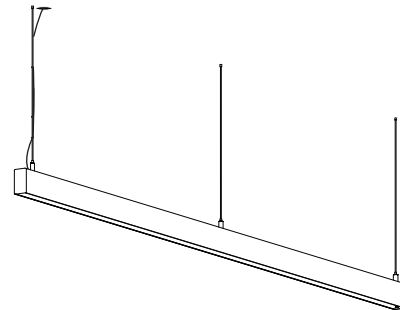
Step 7

Join the 2 ceiling rose components together by rotating the face plate onto the spring assembly



Step 8

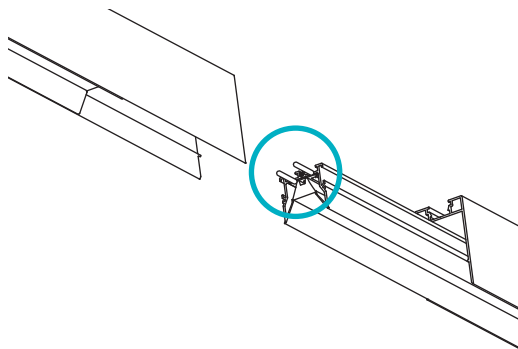
Pull back the springs and insert the ceiling rose into the ceiling cavity



Step 9

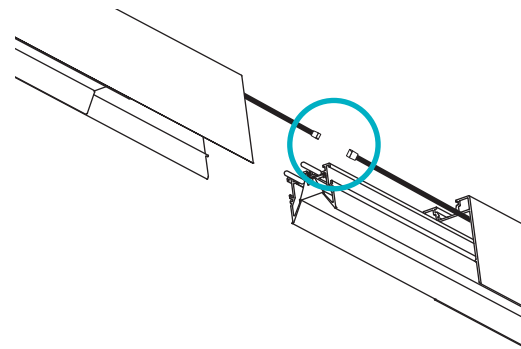
Use the zipties provided to route the power cable along the suspension cable.

Optional



PCB-PCB fast connection

Slide the profiles together to electrically connect the lengths. Suitable for 10Wm up to 10m profiles and 20Wm profiles up to 5m.



CABLE-CABLE fast connection

Connect cables together before completing PCB-PCB fast connection step. Suitable for 20Wm profiles above 5m, and 30W profiles above 3m.