

R26 Custom Linear LED Recessed

Datasheet



Product codes

Product name:	Length:	Family:	Circuit Wattage:	Colour temp:	Beam angle:	Outer Body:	Driver:
R26	1.2m	LN	10W/m	3K	WF60	White (W0)	ND
	1.5m		20W/m	4K	AS40	Black (B0)	Phase
	2m		30W/m		BW40	Silver (S0)	Dali
	2.4m				DF180		010V
	3m						
	XXm						

Photometrics

CCT: 3000K

Efficacy (TRU COLOUR): 89lm/W
Efficacy (STANDARD LED): 120lm/W

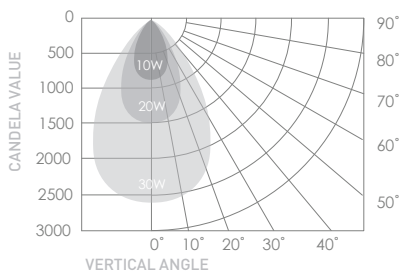
Source lumen output (TRU COLOUR)
10W/m: 890lm/m
20W/m: 1780lm/m
30W/m: 2670lm/m

CCT: 4000K

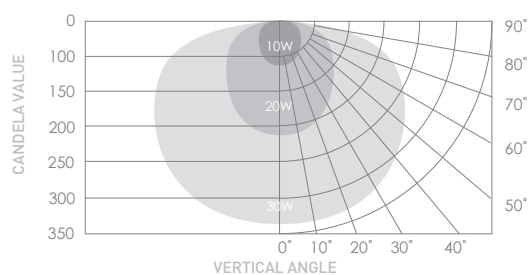
Efficacy (TRU COLOUR): 91lm/W
Efficacy (STANDARD LED): 122lm/W

Source lumen output (STANDARD)
10W/m: 910lm/m
20W/m: 1820lm/m
30W/m: 2730lm/m

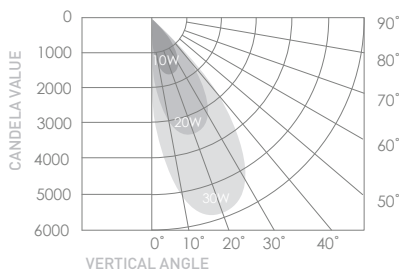
TRU COLOUR: 89lm/W
Beam angle: WF60°



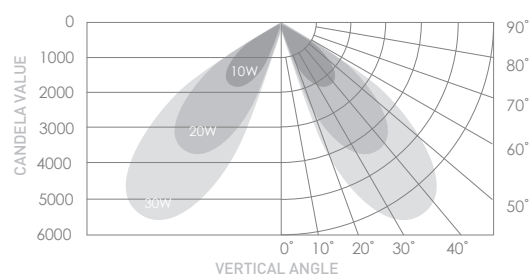
TRU COLOUR: 89lm/W
Beam angle: DF180°



TRU COLOUR: 89lm/W
Beam angle: AS40°



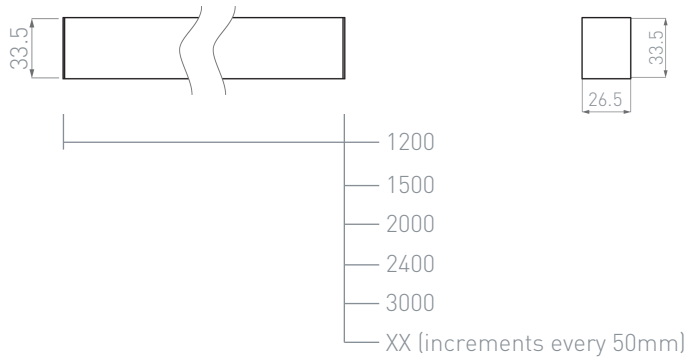
TRU COLOUR: 89lm/W
Beam angle: BW40°



Dimensions (mm)

Front view

Side view



Electrical

Length \ Power Usage	1.2m	1.5m	2m	2.4m	3m	XX
10W/m	1068lm/ 1092lm 12W	1335lm/ 1365lm 15W	1602lm/ 1638lm 20W	2136lm/ 2184lm 24W	2670lm/ 2730lm 30W	W*(89lm/ 91lm) W=10W*XX
20W/m	2136lm/ 2184lm 24W	2670lm/ 2730lm 30W	3560lm/ 3640lm 40W	4272lm/ 4368lm 48W	5340lm/ 5460lm 60W	W*(89lm/ 91lm) W=20W*XX
30W/m	3204lm/ 3276lm 36W	4005lm/ 4095lm 45W	5340lm/ 5460lm 60W	6408lm/ 6552lm 72W	8010lm/ 8190lm 90W	W*(89lm/ 91lm) W=30W*XX

Dimmable: Yes	Power Usage: 10W/m; 20W/m; 30W/m	Driver power factor: >0.9	Input voltage: 220-265V	IP rating: IP44	Surge protection: 3100V
-------------------------	---	-------------------------------------	-----------------------------------	---------------------------	-----------------------------------

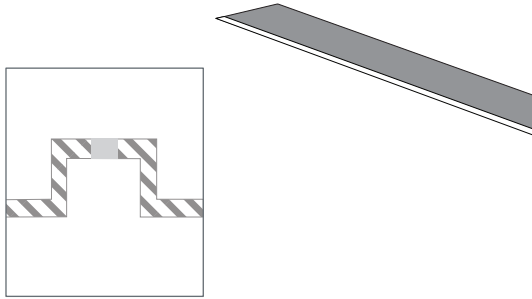
Operational

Operating temp.: -30 to 85°C	Ambient temp.: -28 to 55°C	Lifetime L70: 10W= 100,000hrs 20W= 80,000hrs 30W= 50,000hrs	Warranty: 7 years of luminaire warranty & 5 years of driver warranty
--	--------------------------------------	---	---

Compatibility

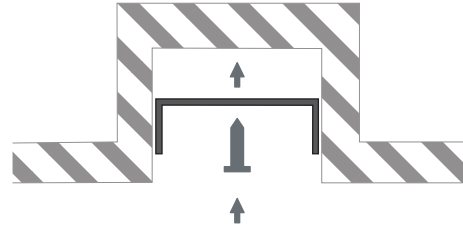
Dimming:
Non-Dimmable (ND)
Digital Driver (PHASE) *<https://brightgreen.com/digital-driver>
DALI (DALI)
0-10V (010)

Installation



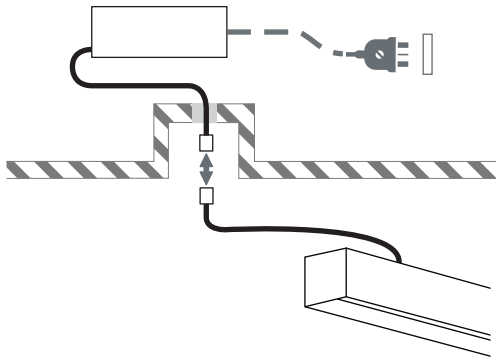
Step 1

Mark out and cut a 33.5mm recess and 26.5mm wide x (Profile length), then drill a 5mm hole cut out to thread the cable through.



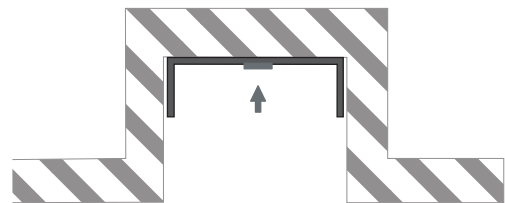
Step 2

Attach the provided mounting clips to the top of the cavity with the provided screws



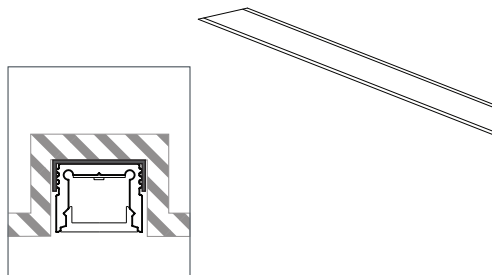
Step 3

Remote mount and connect the driver to the mains power cable in line with Australian standards. Wire the low voltage luminaire cable to the driver and then the cable through the hole cutouts.



Step 4

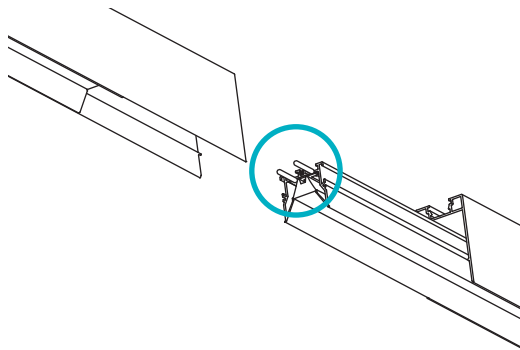
Snap the product into the mounting clips.



Step 5

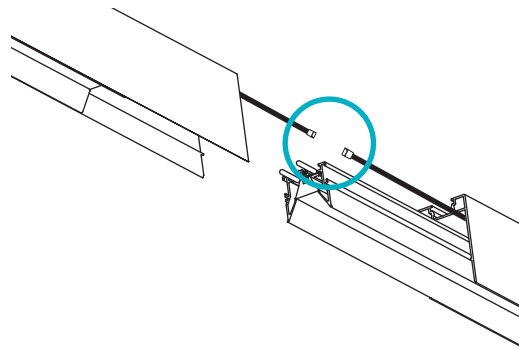
Installation complete.

Optional



PCB-PCB fast connection

Slide the profiles together to electrically connect the lengths. Suitable for 10Wm up to 10m profiles and 20Wm profiles up to 5m.



CABLE-CABLE fast connection

Connect cables together before completing PCB-PCB fast connection step. Suitable for 20Wm profiles above 5m, and 30W profiles above 3m.