

# R70 Custom Linear LED Recessed

## Datasheet



### Product codes

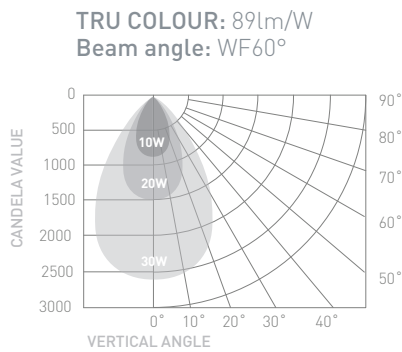
Product name:	Length:	Family:	Circuit Wattage:	Colour temp:	Beam angle:	Outer Body:	Inner Body:	Driver:
R70	XX	LN	10W/m 20W/m 30W/m	3K 4K	WF60 AS40 BW40 DF180	White (WO) Black (BO) Silver (SO)	Silver (SI) Black (BI)	ND Phase Dali 010V

### Photometrics

**CCT: 3000K**

**Efficacy (TRU COLOUR):** 89lm/W  
**Efficacy (STANDARD LED):** 120lm/W

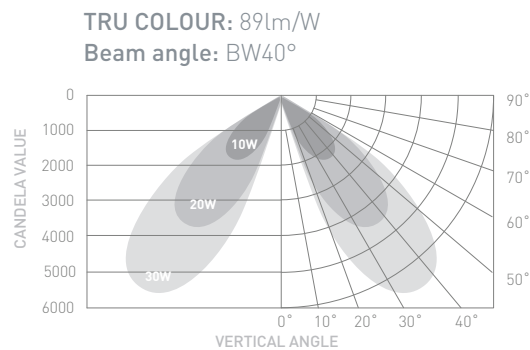
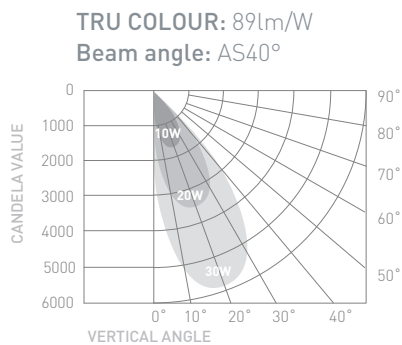
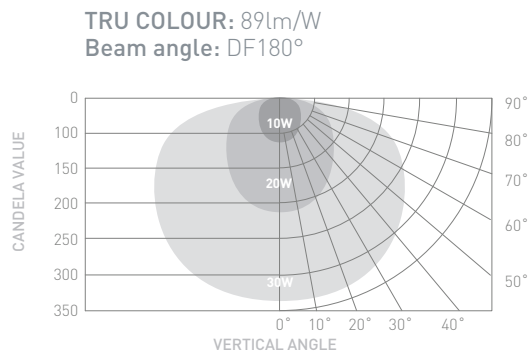
**Source lumen output (TRU COLOUR)**  
**10W/m:** 890lm/m  
**20W/m:** 1780lm/m  
**30W/m:** 2670lm/m



**CCT: 4000K**

**Efficacy (TRU COLOUR):** 91lm/W  
**Efficacy (STANDARD LED):** 122lm/W

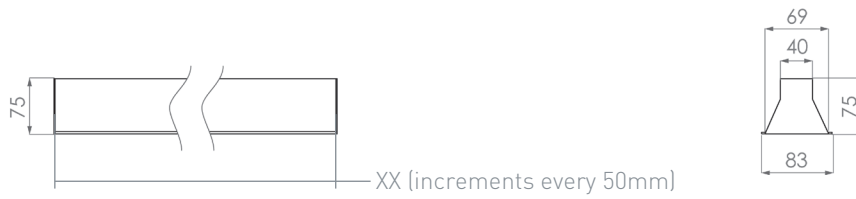
**Source lumen output (STANDARD)**  
**10W/m:** 910lm/m  
**20W/m:** 1820lm/m  
**30W/m:** 2730lm/m



## Dimensions (mm)

Front view

Side view



## Electrical

Power Usage	Length	XX
10W/m		$W \times (89\text{lm} / 91\text{lm})$
		$W = 10W \times XX$
20W/m		$W \times (89\text{lm} / 91\text{lm})$
		$W = 20W \times XX$
30W/m		$W \times (89\text{lm} / 91\text{lm})$
		$W = 30W \times XX$

**Dimmable:**  
Yes

**Power Usage:**  
10W/m; 20W/m;  
30W/m

**Driver power factor:**  
>0.9

**Input voltage:**  
220-265V

**IP rating:**  
IP44

**Surge protection:**  
3100V

## Operational

**Operating temp.:**  
-30 to 85°C

**Ambient temp.:**  
-28 to 55°C

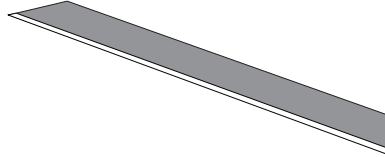
**Lifetime L70:**  
10W= 100,000hrs  
20W= 80,000hrs  
30W= 50,000hrs

**Warranty:**  
7 years of luminaire warranty  
& 5 years of driver warranty

## Compatibility

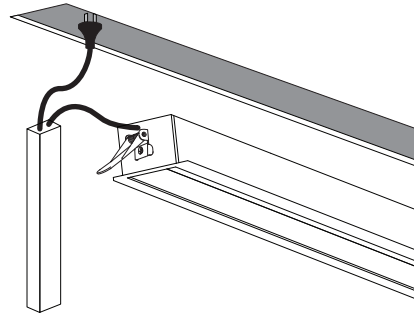
**Dimming:**  
Non-Dimmable (ND)  
Digital Driver (PHASE) \*<https://brightgreen.com/digital-driver>  
DALI (DALI)  
0-10V (010)

## Installation



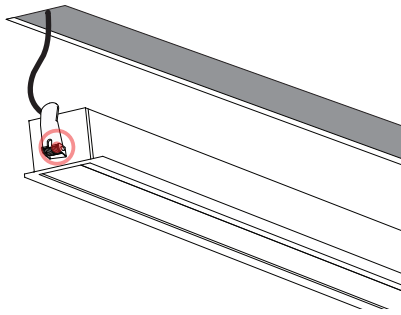
### Step 1

Mark out and cut a 40mm x (Profile length) hole in the ceiling at the desired location.



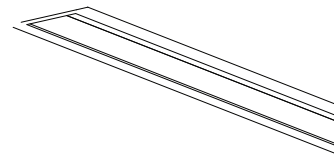
### Step 2

Plug the driver into a mounted general power outlet (GPO) in the ceiling.



### Step 3

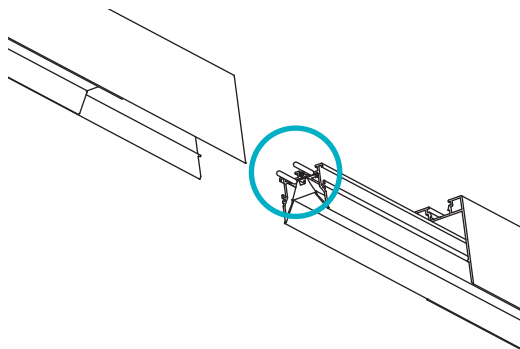
Pull back the springs and insert the luminaire into the ceiling cavity.



### Step 4

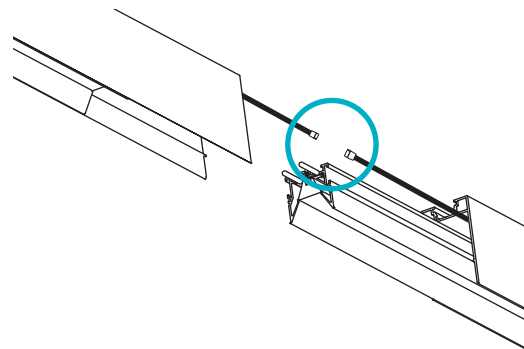
Installation complete.

## Optional



### PCB-PCB fast connection

Slide the profiles together to electrically connect the lengths. Suitable for 10Wm up to 10m profiles and 20Wm profiles up to 5m.



### CABLE-CABLE fast connection

Connect cables together before completing PCB-PCB fast connection step. Suitable for 20Wm profiles above 5m, and 30W profiles above 3m.