

# R70 Custom Linear LED Recessed

## Datasheet



### Product codes

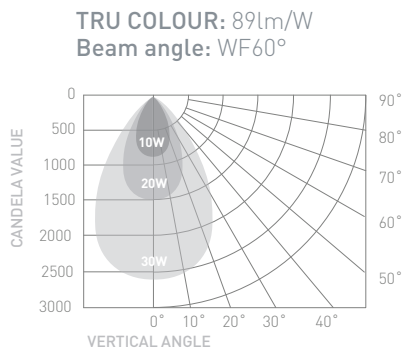
Product name:	Length:	Family:	Circuit Wattage:	Colour temp:	Beam angle:	Outer Body:	Inner Body:	Driver:
R70	XX	LN	10W/m	3K	WF60	White (W0)	Silver (SI)	ND
			20W/m	4K	AS40	Black (B0)	Black (BI)	Phase
			30W/m	RGBW	BW40	Silver (S0)		Dali
				2.7K-6.5K	DF180			010V

### Photometrics

**CCT: 3000K**

**Efficacy (TRU COLOUR): 89lm/W**  
**Efficacy (STANDARD LED): 120lm/W**

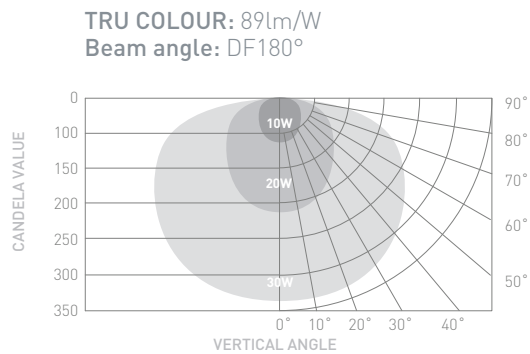
**Source lumen output (TRU COLOUR)**  
**10W/m: 890lm/m**  
**20W/m: 1780lm/m**  
**30W/m: 2670lm/m**



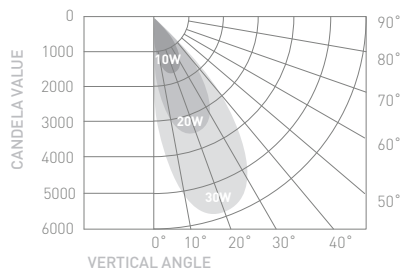
**CCT: 4000K**

**Efficacy (TRU COLOUR): 91lm/W**  
**Efficacy (STANDARD LED): 122lm/W**

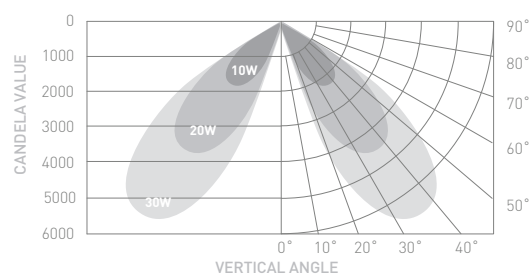
**Source lumen output (STANDARD)**  
**10W/m: 910lm/m**  
**20W/m: 1820lm/m**  
**30W/m: 2730lm/m**



**TRU COLOUR: 89lm/W**  
**Beam angle: AS40°**



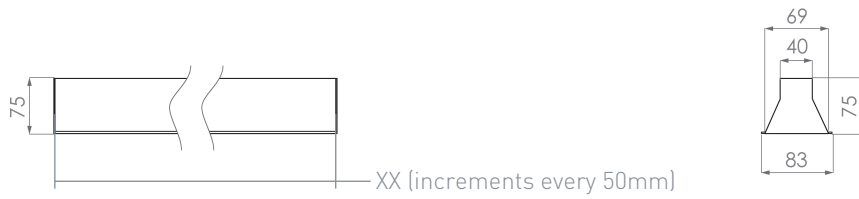
**TRU COLOUR: 89lm/W**  
**Beam angle: BW40°**



## Dimensions (mm)

Front view

Side view



## Electrical

Power Usage	Length	XX
10W/m		$W \times (89\text{lm} / 91\text{lm})$
		$W = 10W \times XX$
20W/m		$W \times (89\text{lm} / 91\text{lm})$
		$W = 20W \times XX$
30W/m		$W \times (89\text{lm} / 91\text{lm})$
		$W = 30W \times XX$

**Dimmable:**  
Yes

**Power Usage:**  
10W/m; 20W/m;  
30W/m

**Driver power factor:**  
>0.9

**Input voltage:**  
220-265V

**IP rating:**  
IP44

**Surge protection:**  
3100V

## Operational

**Operating temp.:**  
-30 to 85°C

**Ambient temp.:**  
-28 to 55°C

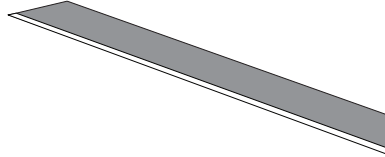
**Lifetime L70:**  
10W= 100,000hrs  
20W= 80,000hrs  
30W= 50,000hrs

**Warranty:**  
7 years of luminaire warranty  
& 5 years of driver warranty

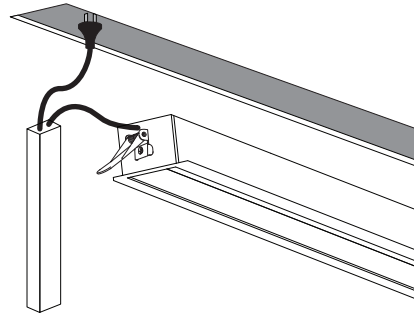
## Compatibility

**Dimming:**  
Non-Dimmable (ND)  
Digital Driver (PHASE) \*<https://brightgreen.com/digital-driver>  
DALI (DALI)  
0-10V (010)

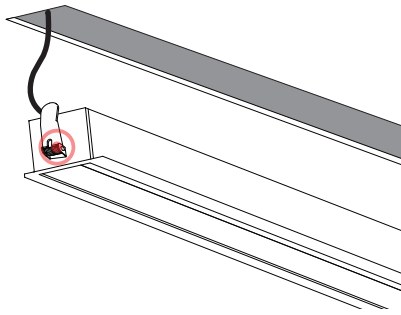
## Installation



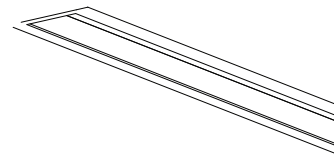
**Step 1**  
Mark out and cut a 40mm x (Profile length) hole in the ceiling at the desired location.



**Step 2**  
Plug the driver into a mounted general power outlet (GPO) in the ceiling.

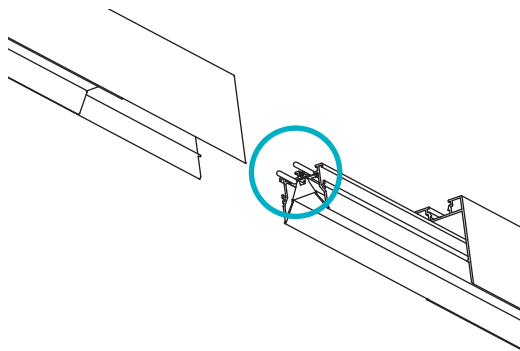


**Step 3**  
Pull back the springs and insert the luminaire into the ceiling cavity.

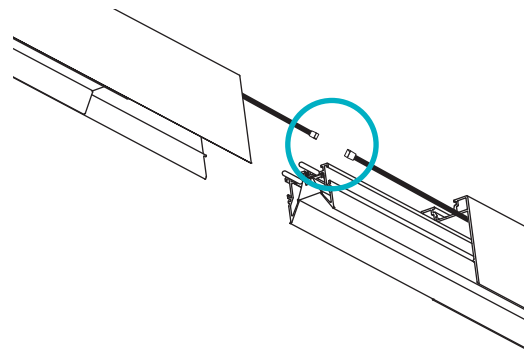


**Step 4**  
Installation complete.

## Optional



**PCB-PCB fast connection**  
Slide the profiles together to electrically connect the lengths. Suitable for 10Wm up to 10m profiles and 20Wm profiles up to 5m.



**CABLE-CABLE fast connection**  
Connect cables together before completing PCB-PCB fast connection step. Suitable for 20Wm profiles above 5m, and 30W profiles above 3m.