

S70 Custom Linear LED Surface

Datasheet



Product codes

Product name:	Length:	Family:	Circuit Wattage:	Colour temp:	Beam angle:	Outer Body:	Inner Body:	Driver:
S70	1.2m	LN	10W/m	3K	WF60	White (W0)	Silver (SI)	ND
	1.5m		20W/m	4K	AS40	Black (B0)	Black (BI)	Phase
	2m		30W/m	RGBW	BW40	Silver (S0)		Dali
	2.4m			2.7K-6.5K	DF180			010V
	3m							
	xx							

Photometrics

CCT: 3000K

Efficacy (TRU COLOUR): 89lm/W
Efficacy (STANDARD LED): 120lm/W

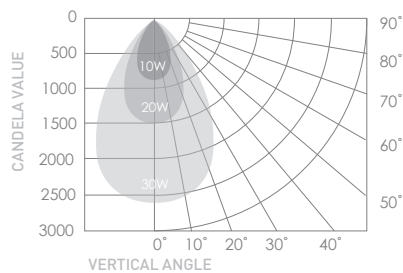
Source lumen output (TRU COLOUR)
10W/m: 890lm/m
20W/m: 1780lm/m
30W/m: 2670lm/m

CCT: 4000K

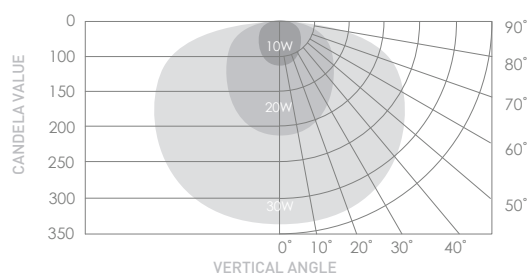
Efficacy (TRU COLOUR): 91lm/W
Efficacy (STANDARD LED): 122lm/W

Source lumen output (STANDARD)
10W/m: 910lm/m
20W/m: 1820lm/m
30W/m: 2730lm/m

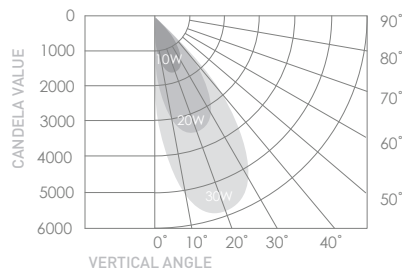
TRU COLOUR: 89lm/W
Beam angle: WF60°



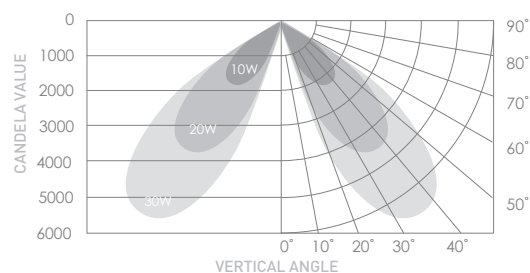
TRU COLOUR: 89lm/W
Beam angle: DF180°



TRU COLOUR: 89lm/W
Beam angle: AS40°



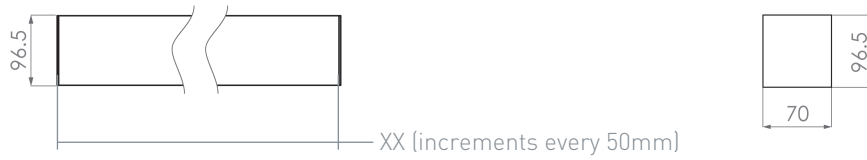
TRU COLOUR: 89lm/W
Beam angle: BW40°



Dimensions (mm)

Front view

Side view



Electrical

Length	XX
Power Usage	
10W/m	$W \cdot (89\text{lm}/91\text{lm})$ $W = 10W \cdot XX$
20W/m	$W \cdot (89\text{lm}/91\text{lm})$ $W = 20W \cdot XX$
30W/m	$W \cdot (89\text{lm}/91\text{lm})$ $W = 30W \cdot XX$

Dimmable:
Yes

Power Usage:
10W/m; 20W/m;
30W/m

Driver power factor:
>0.9

Input voltage:
220-265V

IP rating:
IP44

Surge protection:
3100V

Operational

Operating temp.:
-30 to 85°C

Ambient temp.:
-28 to 55°C

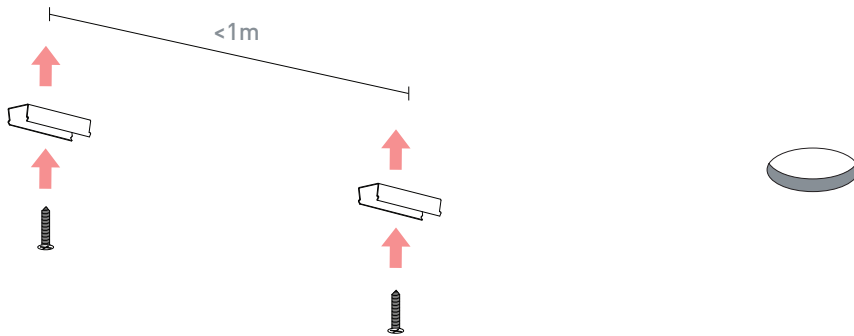
Lifetime L70:
10W= 100,000hrs
20W= 80,000hrs
30W= 50,000hrs

Warranty:
7 years of luminaire warranty
& 5 years of driver warranty

Compatibility

Dimming:
Non-Dimmable (ND)
Digital Driver (PHASE) *<https://brightgreen.com/digital-driver>
DALI (DALI)
0-10V (010)

Installation

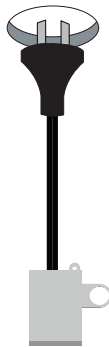


Step 1

Ensure a ceiling mount clips will be mounted at either end of the profile. Max gap between suspension points should be $<1\text{m}$, example 3m length uses 3 ceiling mount clips.

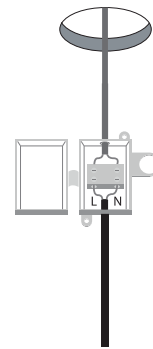
Step 2

Using a 44mm hole saw, cut a hole in the ceiling at the desired location.



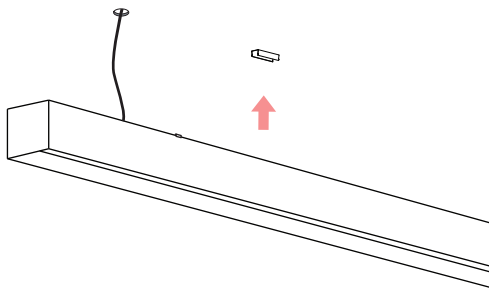
Step 2A

Plug the driver into a mounted general power outlet (GPO) in the ceiling.



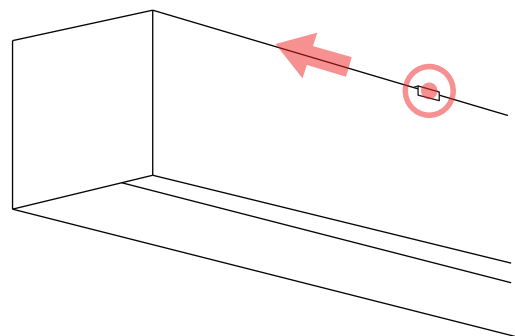
Step 2B

Thread the power cable through the ceiling and connect to the junction box.



Step 3

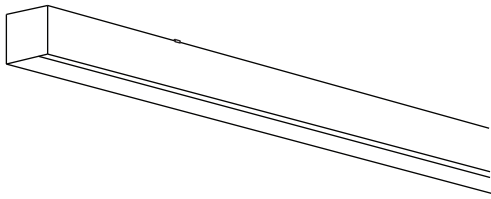
Fasten the brackets to the ceiling using the provided mounting screws and snap the luminaire on to the brackets



Step 4

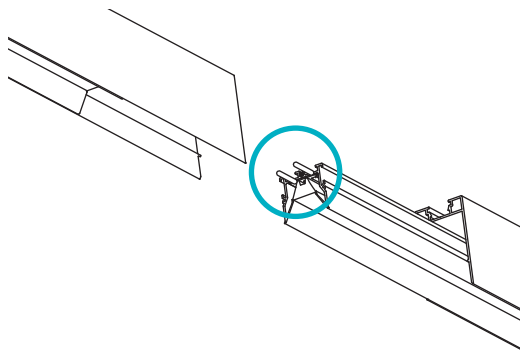
Slide the snap lock in both ends of the luminaire.

Installation

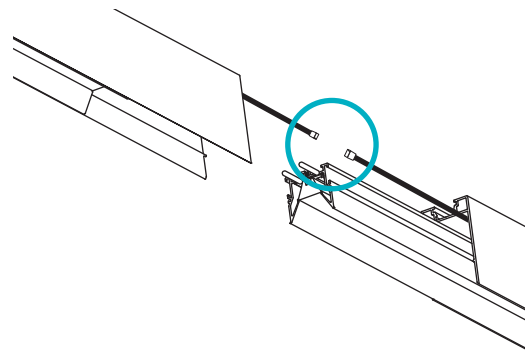


Step 1
Installation complete.

Optional



PCB-PCB fast connection
Slide the profiles together to electrically connect the lengths. Suitable for 10Wm up to 10m profiles and 20Wm profiles up to 5m.



CABLE-CABLE fast connection
Connect cables together before completing PCB-PCB fast connection step. Suitable for 20Wm profiles above 5m, and 30W profiles above 3m.