

SH44 Custom Linear LED wall light

Datasheet



Product codes

Product name:	Length:	Family:	Lamp Wattage:	Colour temp:	Beam angle:	Body:	Driver:
SH44	XXm	LN	10W/m 20W/m 30W/m	3K 4K	DF180	White Black Silver	ND Phase Dali 010V

Photometrics

CCT: 3000K

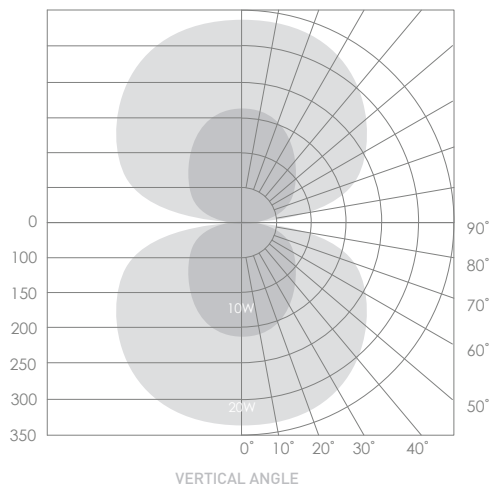
Efficacy (TRU COLOUR): 89lm/W
Efficacy (STANDARD LED): 120lm/W

Source lumen output (TRU COLOUR)
10W/m: 890lm/m
20W/m: 1780lm/m
30W/m: 2670lm/m

CCT: 4000K

Efficacy (TRU COLOUR): 91lm/W
Efficacy (STANDARD LED): 122lm/W

Source lumen output (TRU-COLOUR)
10W/m: 910lm/m
20W/m: 1820lm/m
30W/m: 2730lm/m



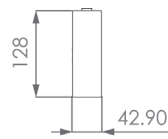
TRU COLOUR: 89lm/W
Beam angle: DF180°

Dimensions (mm)

Front view



Side view



Electrical

Length	XX
Power Usage	
10W/m	$W = \frac{89 \text{lm}}{91 \text{lm}}$ $W = 2 * (10W * XX)$
20W/m	$W = \frac{89 \text{lm}}{91 \text{lm}}$ $W = 2 * (20W * XX)$
30W/m	$W = \frac{89 \text{lm}}{91 \text{lm}}$ $W = 2 * (30W * XX)$

Dimmable:
Yes

Power Usage:
10W/m; 20W/m;
30W/m

Driver power factor:
>0.9

Input voltage:
220-265V

IP rating:
IP44

Surge protection:
3100V

Operational

Operating temp.:
-30 to 85°C

Ambient temp.:
-28 to 55°C

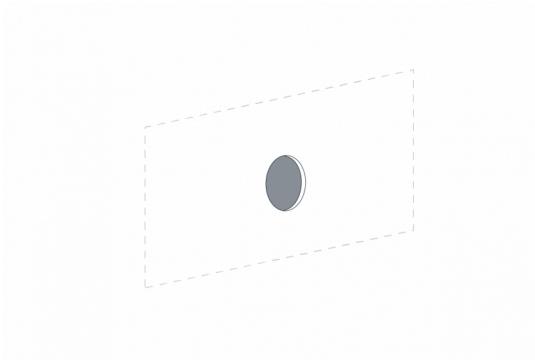
Lifetime L70:
10W/m= 100,000hrs
20W/m= 80,000hrs
30W/m= 50,000hrs

Warranty:
7 years of luminaire warranty
& 5 years of driver warranty

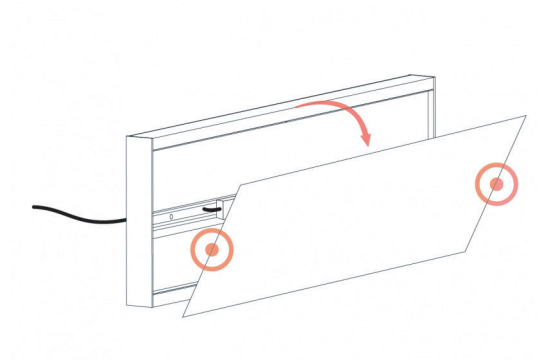
Compatibility

Dimming:
Digital Driver (PHASE) *<https://brightgreen.com/digital-driver>
DALI (DALI)

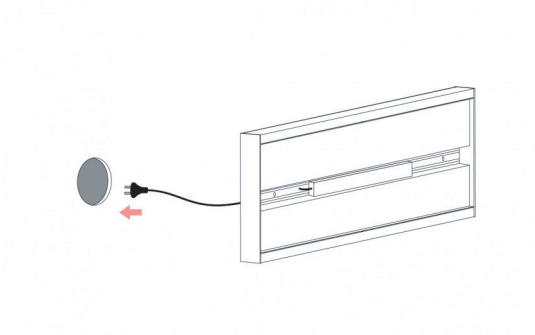
Installation



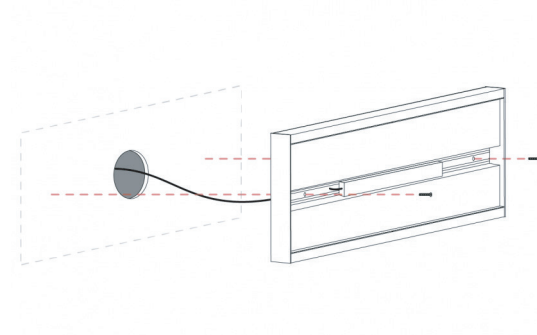
Step 1
Using a 90mm holesaw, cut a hole in the ceiling at the desired location.



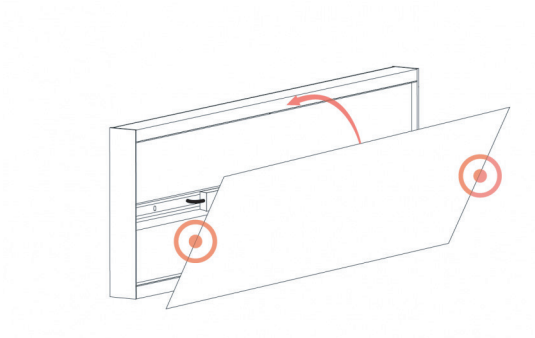
Step 2
Remove the magnetic front plate from the luminaire.



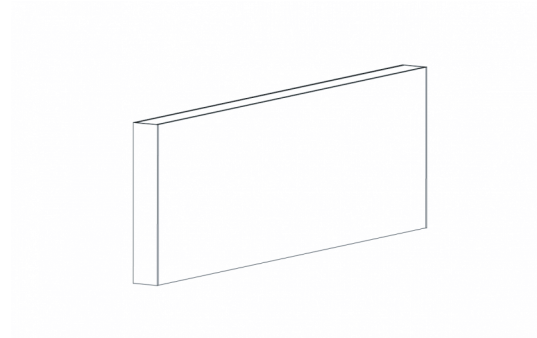
Step 3
Plug the socket into a mounted general power outlet (GPO) in the wall.



Step 4
Fasten the luminaire to the wall using the provided screws.



Step 5
Reattach the magnetic front plate to the luminaire.



Step 6
Installation complete.