

# SH44 Custom Linear LED wall light

## Datasheet



### Product codes

<b>Product name:</b> SH44	<b>Length:</b> XXm	<b>Family:</b> LN	<b>Lamp Wattage:</b> 10W/m 20W/m	<b>Colour temp:</b> 3K 4K	<b>Beam angle:</b> DF180	<b>Body:</b> White Black Silver	<b>Driver:</b> ND Phase Dali 010V
------------------------------	-----------------------	----------------------	--	---------------------------------	-----------------------------	--	---

### Photometrics

**CCT: 3000K**

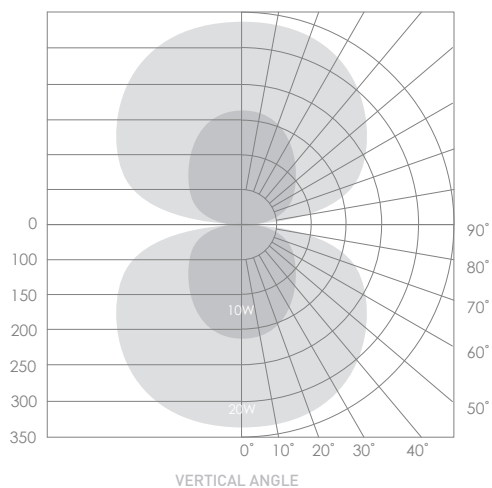
**Efficacy (TRU COLOUR):** 89lm/W  
**Efficacy (STANDARD LED):** 120lm/W

**Source lumen output (TRU COLOUR)**  
**10W/m:** 890lm/m  
**20W/m:** 1780lm/m

**CCT: 4000K**

**Efficacy (TRU COLOUR):** 91lm/W  
**Efficacy (STANDARD LED):** 122lm/W

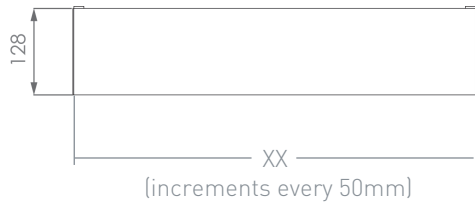
**Source lumen output (TRU-COLOUR)**  
**10W/m:** 910lm/m  
**20W/m:** 1820lm/m



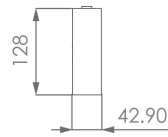
**TRU COLOUR:** 89lm/W  
**Beam angle:** DF180°

## Dimensions (mm)

Front view



Side view



## Electrical

Length	XX
Power Usage	
10W/m	$W = \frac{89 \text{lm}}{91 \text{lm}}$ $W = 2 * (10W * XX)$
20W/m	$W = \frac{89 \text{lm}}{91 \text{lm}}$ $W = 2 * (20W * XX)$

**Dimmable:**  
Yes

**Power Usage:**  
10W/m; 20W/m

**Driver power factor:**  
>0.9

**Input voltage:**  
220-265V

**IP rating:**  
IP44

**Surge protection:**  
3100V

## Operational

**Operating temp.:**  
-30 to 85°C

**Ambient temp.:**  
-28 to 55°C

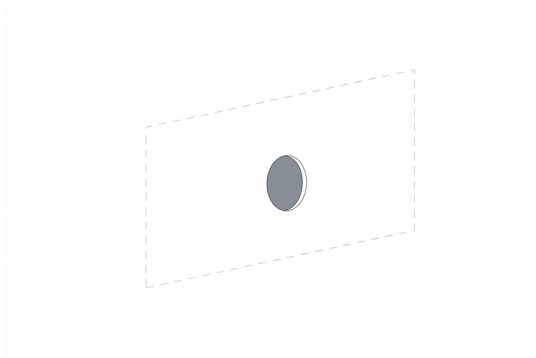
**Lifetime L70:**  
10W/m= 100,000hrs  
20W/m= 80,000hrs

**Warranty:**  
7 years of luminaire warranty  
& 5 years of driver warranty

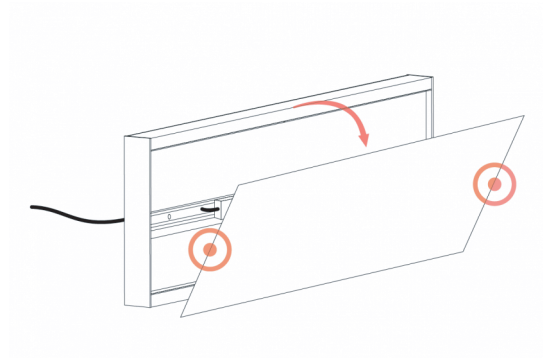
## Compatibility

**Dimming:**  
Digital Driver (PHASE) \*<https://brightgreen.com/digital-driver>  
DALI (DALI)

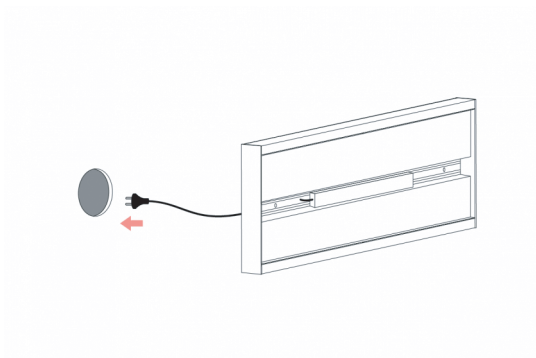
## Installation



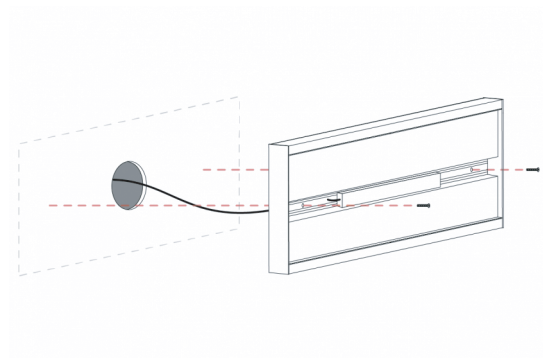
**Step 1**  
Using a 90mm holesaw, cut a hole in the ceiling at the desired location.



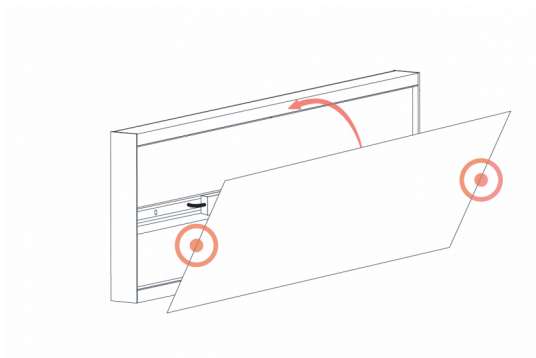
**Step 2**  
Remove the magnetic front plate from the luminaire.



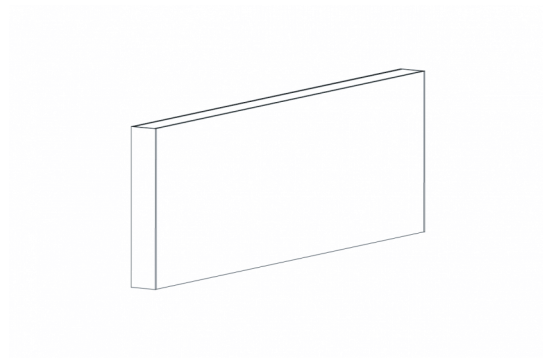
**Step 3**  
Plug the socket into a mounted general power outlet (GPO) in the wall.



**Step 4**  
Fasten the luminaire to the wall using the provided screws.



**Step 5**  
Reattach the magnetic front plate to the luminaire.



**Step 6**  
Installation complete.