

Euro Track, 4 wire Datasheet

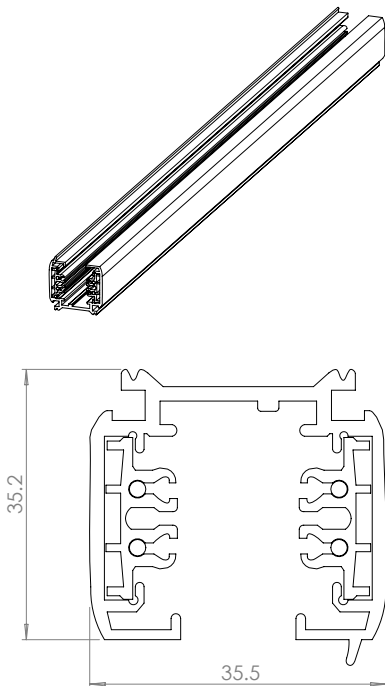


Product codes

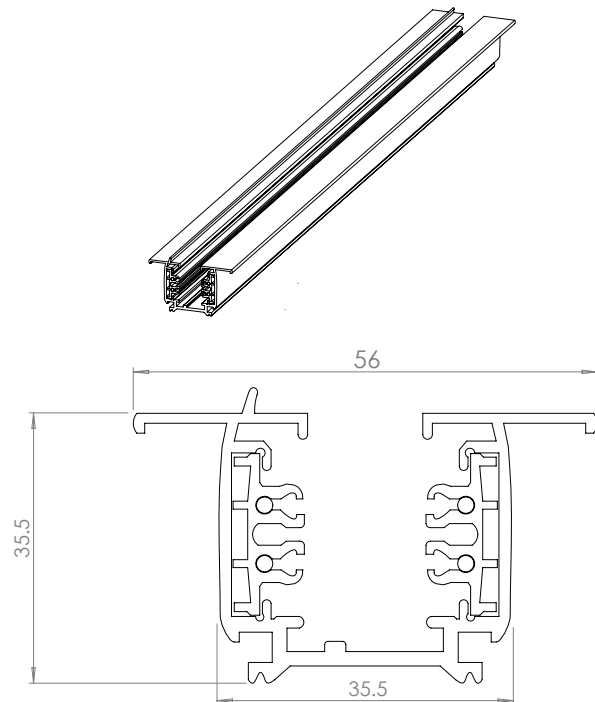
Unit:	Family:	Standard length (m):	Colour:
Euro -Track Surface, 4 wire (ES)	Track	1 2	W (White) B (Black)
Euro -Track Recessed, 4 wire (ER)	Track	1 2	W (White) B (Black)

Dimensions (mm)

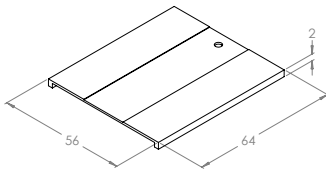
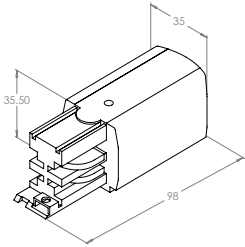
Euro -Track Surface, 4 wire (ES)



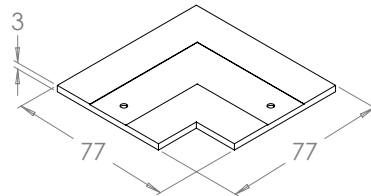
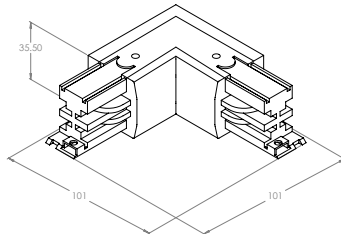
Euro -Track Recessed, 4 wire (ER)



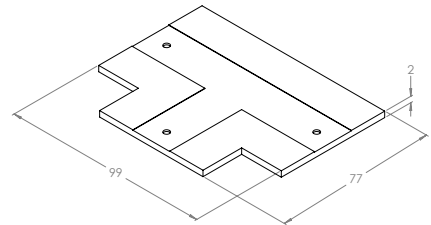
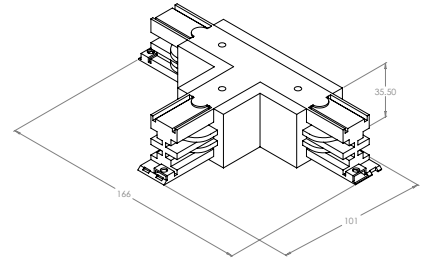
Live End Connector (LEC)



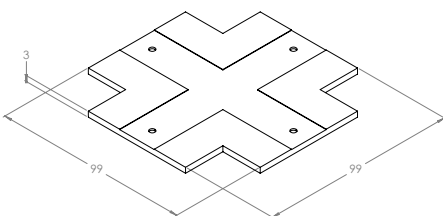
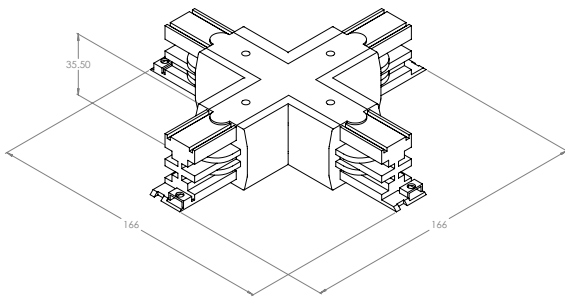
L-Connector (LC)



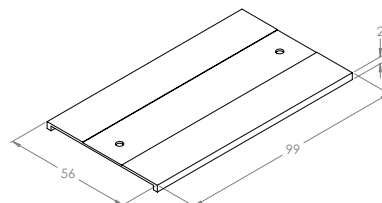
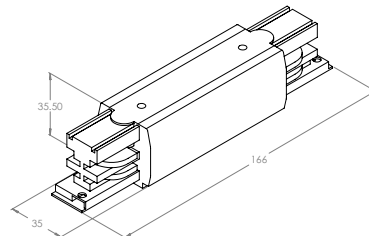
T-Connector (TC)



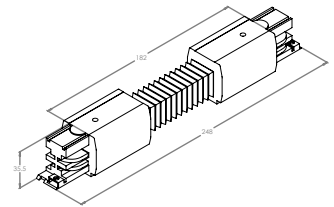
X-Connector (XC)



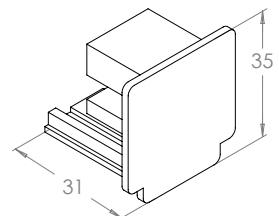
Live Straight Connector (LSC)



Live Flexible Connector (LFC)



End cap



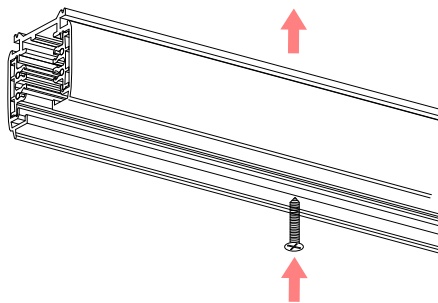
Electrical

Input voltage:
220-240V

Warranty:
3 years

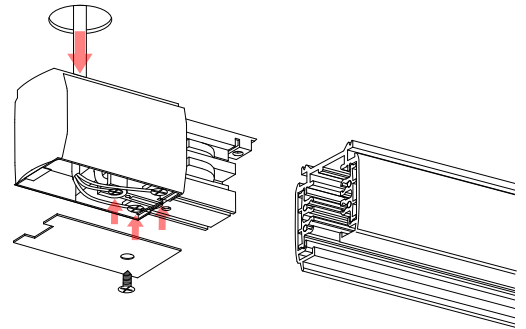
Installation

Euro -Track Surface, 4 wire (ES)



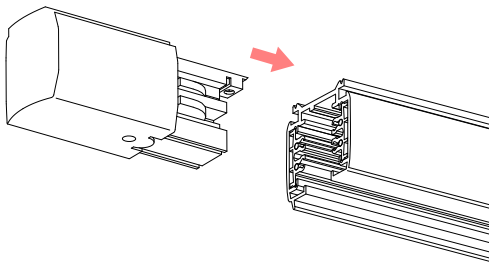
Step 1

Screw the track into the roof using the provided screw fittings.



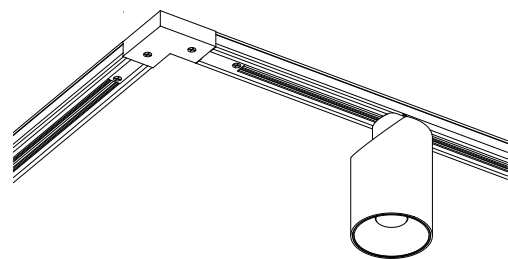
Step 2

Open the cap of the Live End Connector (LEC) and thread the AC wire through the slot. Correctly wire the power cable into the junction box.



Step 3

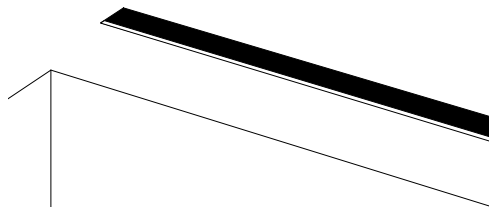
Slide the the LEC into the track.



Step 4

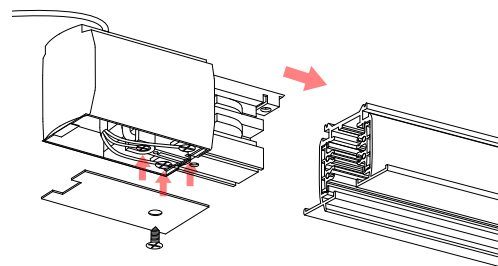
Attach additional accessories, track lengths and lights as needed.

Euro-Track Recessed, 4 wire (ER)



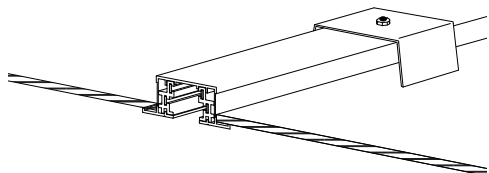
Step 1

Route a linear cutout the length and width of your track.



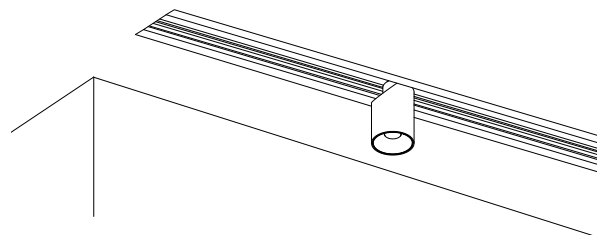
Step 2

Slide the the LEC into the track. Open the cap of the Live End Connector (LEC) and thread the AC wire through one of the slots. Correctly wire the power cable into the junction box.



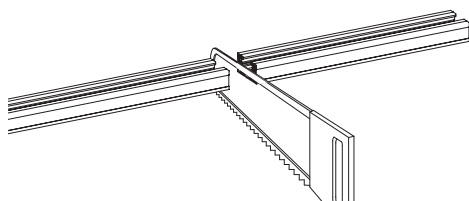
Step 3

Attach the recessed mounting brackets. Recess the track length into the cutout and then rotate the mounting brackets perpendicular to the track length. Tighten the bracket screws to secure the track length.



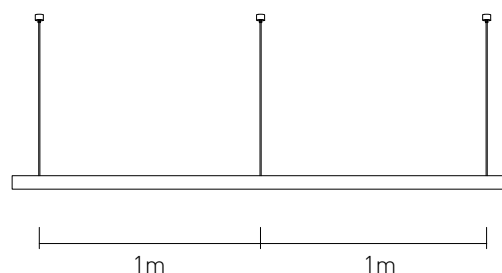
Step 4

Attach additional accessories, track lengths and lights as needed.



Options

Cut the track to length, file any rough edges, and then trim back the internal copper wire for correct mating to any live connectors

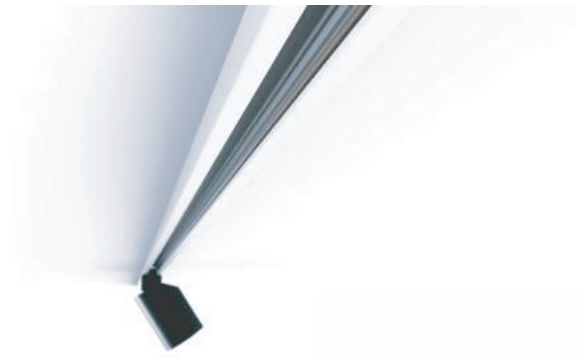


For suspension kit installation, mount suspension points 1 metre apart for even weight distribution.

H-Track, 3 wire

Single circuit

Datasheet

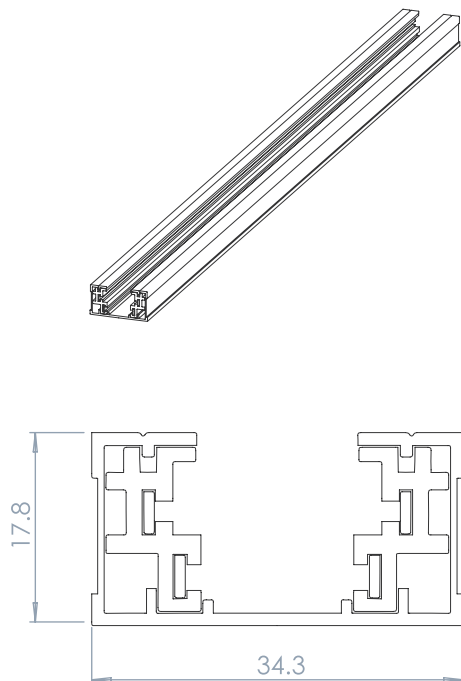


Product codes

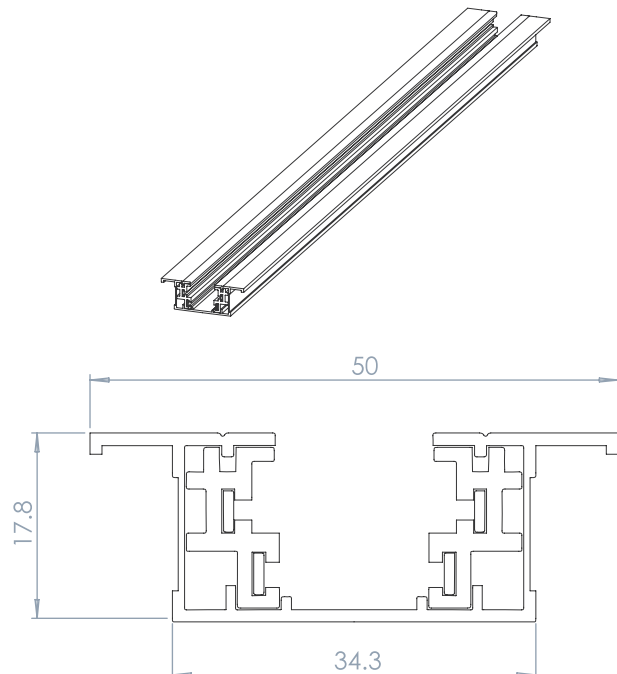
Unit:	Family:	Standard length (m):	Colour:
H-Track Surface, 3 wire (HS)	Track	1 2	W (White) B (Black)
H-Track Recessed, 3 wire (HR)	Track	1 2	W (White) B (Black)

Dimensions (mm)

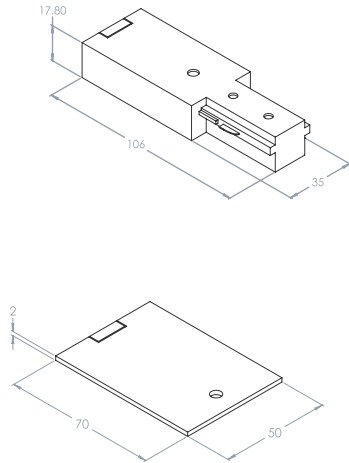
H-Track Surface, 3 wire (HS)



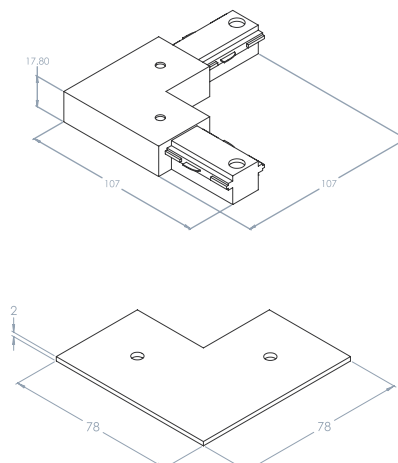
H-Track Recessed, 3 wire (HR)



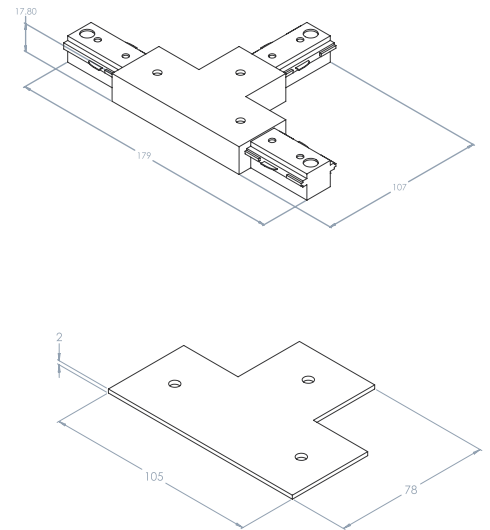
Live End Connector (LEC)



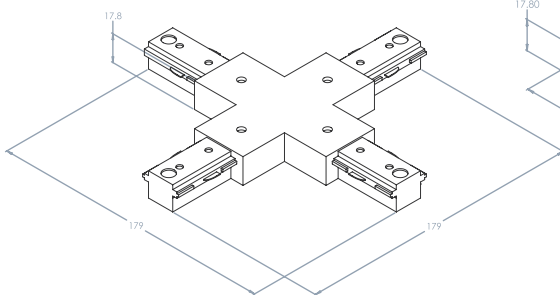
L-Connector (LC)



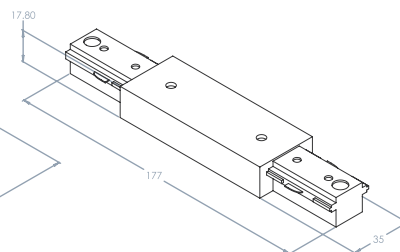
T-Connector (TC)



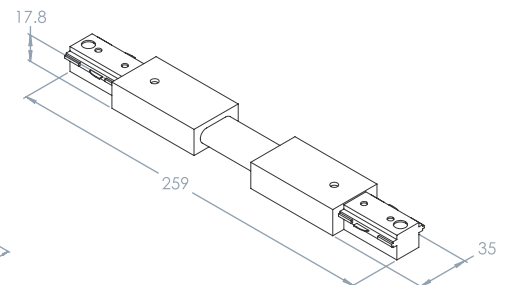
X-Connector (XC)



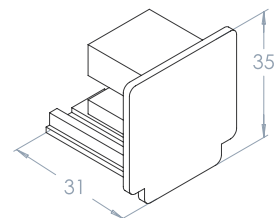
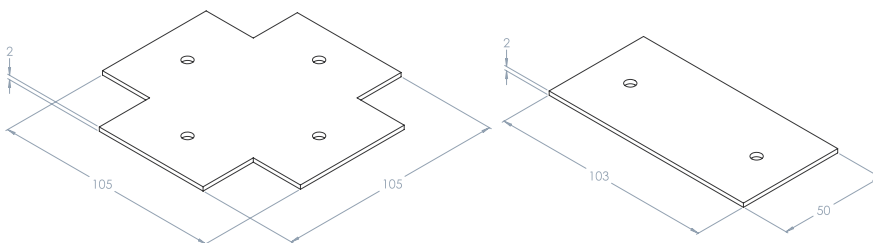
Live Straight Connector (LSC)



Live Flexible Connector (LFC)



End cap



Electrical

Input voltage:
220-240V

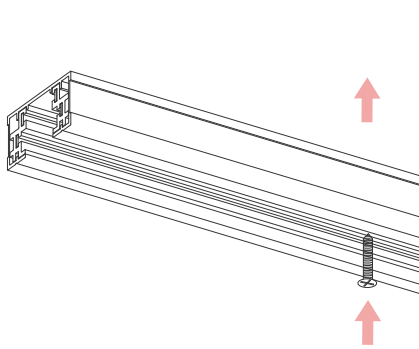
IP rating:
XX

Surge protection:
N/A

Warranty:
3 years

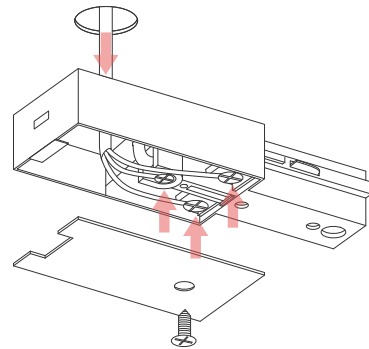
Installation

H-Track Surface, 3 wire (HS)



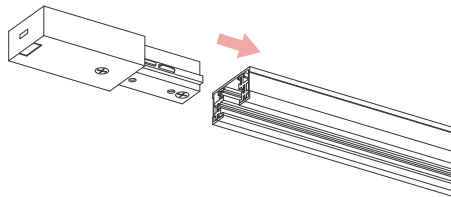
Step 1

Screw the track into the roof using the provided screw fittings.



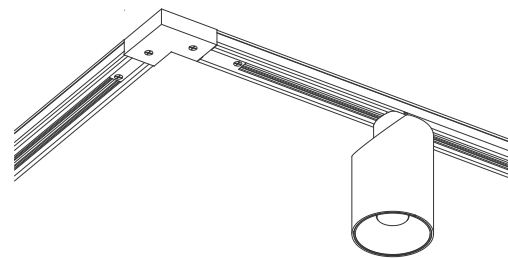
Step 2

Open the cap of the Live End Connector (LEC) and thread the AC wire through the slot. Correctly wire the power cable into the junction box.



Step 3

Slide the the LEC into the track.

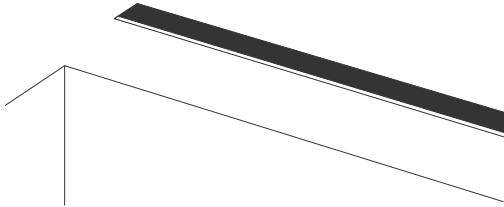


Step 4

Attach additional accessories, track lengths and light as needed.

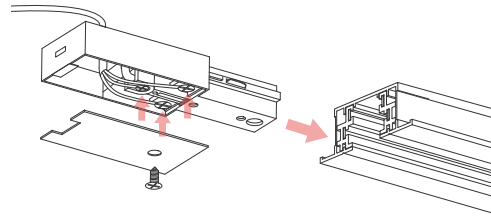
Installation

H-Track Recessed, 3 wire (HR)



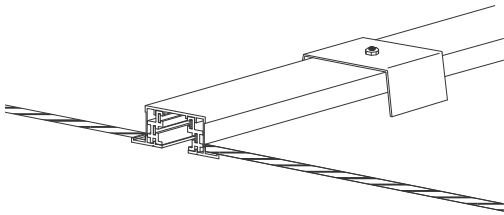
Step 1

Route a linear cutout the length and width of your track and accessories.



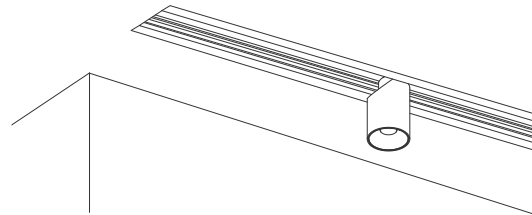
Step 2

Open the cap of the Live End Connector (LEC) and thread the AC wire through the slot. Correctly wire the power cable into the junction box. Slide the the LEC into the track.



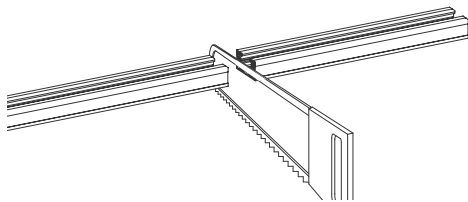
Step 3

Attach the recessed mounting brackets. Recess the track length into the cutout and then rotate the mounting brackets perpendicular to the track length. Tighten the bracket screws to secure the track length.



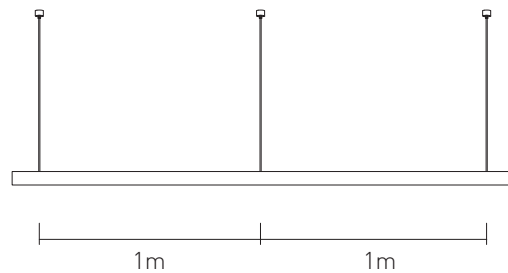
Step 4

Attach additional accessories, track lengths and light as needed.



Options

Cut the track to length, file any rough edges, and then trim back the internal copper wire for correct mating to any live connectors



For suspension kit installation, mount suspension points 1 metre apart for even weight distribution.