

D200.RSX Curve LED downlight

Datasheet



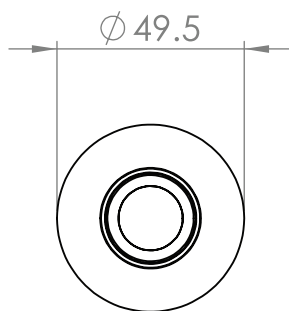
TRU-COLOUR®

Product codes

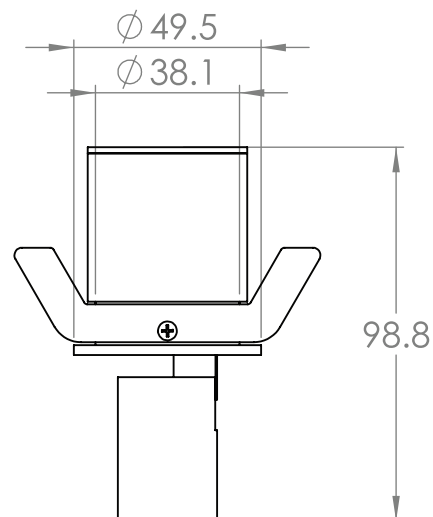
Unit:	Series:	Colour temp:	Beam angle (°):	Outer Body:	Inner Body:	Driver:
D200.RSX	CR	2.7K	12	WO (White)	WI (White)	ND (Non-dimmable)
		3K	17	BO (Black)	BI (Black)	
		4K	23			
		5K	30X17			

Dimensions (mm)

Front view



Side view



Electrical

Colour temperature:
3000K or 4000K or
5000K or 2700K

Input voltage:
220-240V

Power usage:
2W

Driver power factor:
0.9

IP rating:
IP20

Dimmable:
No

Operational

Lumen output:
2.7K: 200lm
3K: 205lm
4K: 210lm
5K: 225lm

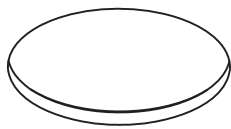
Light quality (CRI):
CRI97

Physical

Gimbal angle:
90°/359°

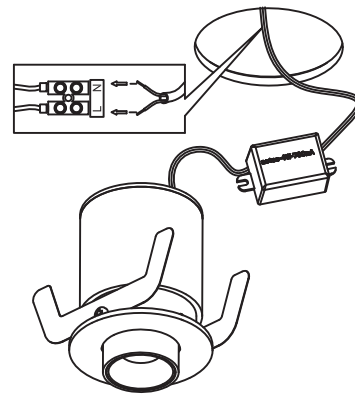
Warranty:
7 years

Installation



Step 1

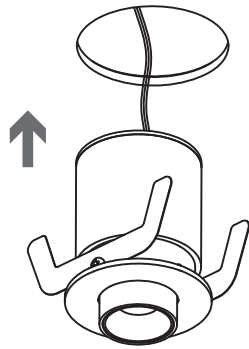
Using a 44mm hole saw, cut a hole in the ceiling at the desired location



Step 2

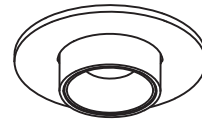
Using the junction box terminate the power cable

Installation



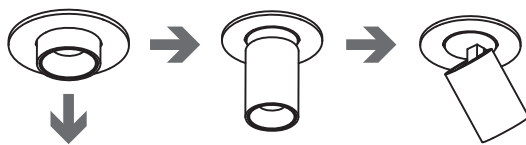
Step 3

Bend/fold the metal spring against the outer housing and insert the luminaire into the ceiling cavity



Step 4

Installation complete



Step 5

Once the light is installed, pull down on the light to slide it out of the housing in order to orient the light to the correct position.