

D2000 Linear LED downlight

Datasheet



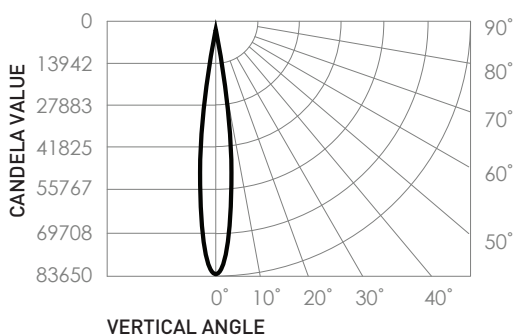
TRU-COLOUR®

Product codes

Unit:	Series:	Colour temp.:	Beam angle (°):	Colour:	Driver Type:
D2000	LN	2.7K	10	B (Black)	PHASE (PHASE)
		3K	40	W (White)	DALI (DALI)
		4K			ZIGBEE (ZIGBEE 3.0)
		5K			CASAMBI (CASAMBI)
					010V (0-10V)

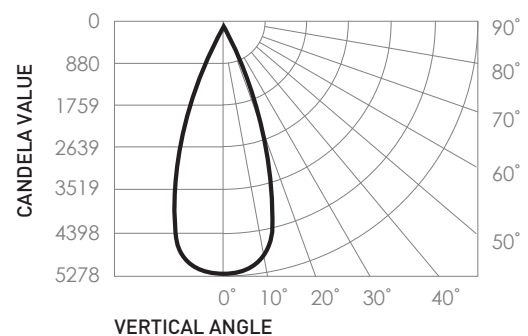
Photometrics

Standard Products



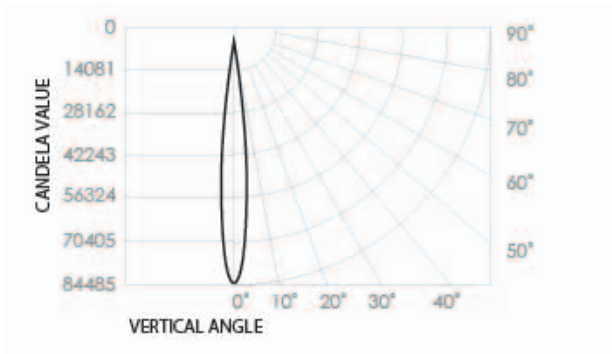
Source lumen output: 2510lm
 Delivered lumen: 2000lm
 Efficacy: 61lm/W
 Colour temp.: 3000K
 Beam angle: 10°
 CRI: 97

Standard Deviation of colour matching (SDCM): 3MacAdams Steps



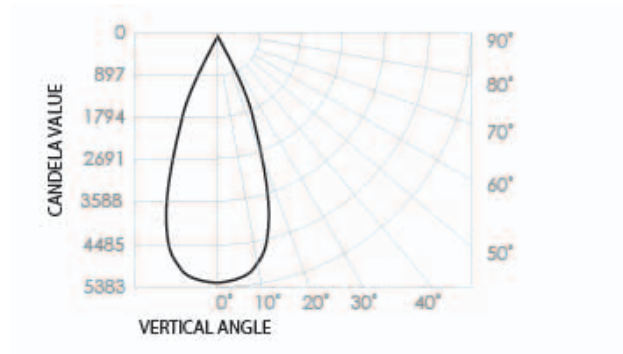
Source lumen output: 2510lm
 Delivered lumen: 2000lm
 Efficacy: 61lm/W
 Colour temp.: 3000K
 Beam angle: 40°
 CRI: 97

Standard Deviation of colour matching (SDCM): 3MacAdams Steps



Source lumen output: 2560lm
 Delivered lumen: 2040lm
 Efficacy: 62lm/W
 Colour temp.: 4000K
 Beam angle: 10°
 CRI: 97

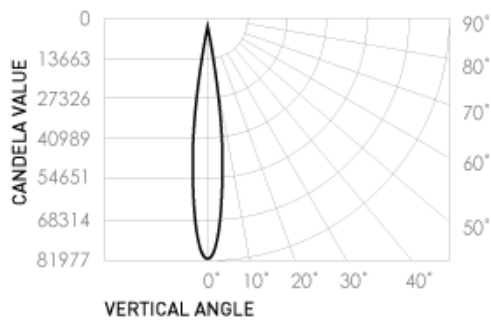
Standard Deviation of colour matching (SDCM): 3MacAdams Steps



Source lumen output: 2560lm
 Delivered lumen: 2040lm
 Efficacy: 62lm/W
 Colour temp.: 4000K
 Beam angle: 40°
 CRI: 97

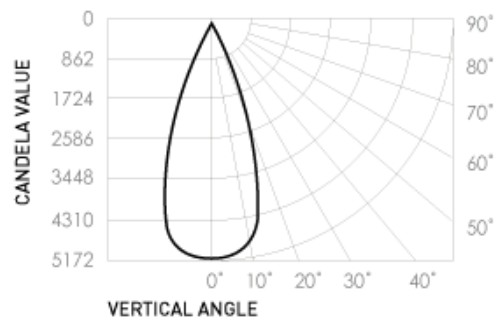
Standard Deviation of colour matching (SDCM): 3MacAdams Steps

Special Order Products



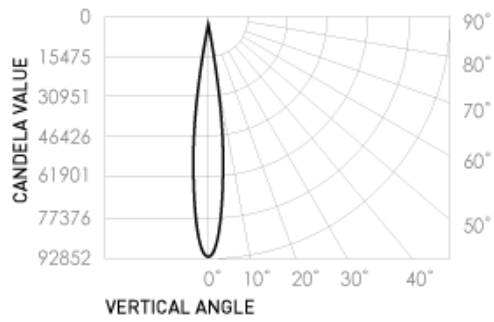
Source lumen output: 2460lm
 Delivered lumen: 1960lm
 Efficacy: 59lm/W
 Colour temp.: 2700K (Special Order)
 Beam angle: 10°
 CRI: 97

Standard Deviation of colour matching (SDCM): 3MacAdams Steps

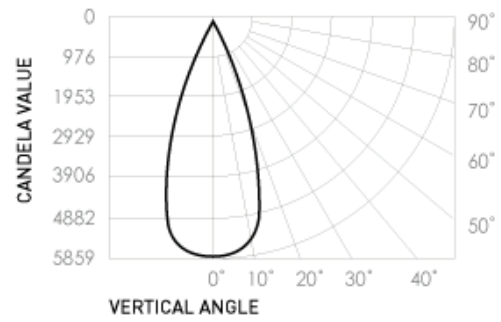


Source lumen output: 2460lm
 Delivered lumen: 1960lm
 Efficacy: 59lm/W
 Colour temp.: 2700K (Special Order)
 Beam angle: 40°
 CRI: 97

Standard Deviation of colour matching (SDCM): 3MacAdams Steps



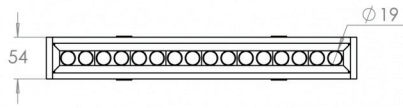
Source lumen output: 2790lm
 Delivered lumen: 2220lm
 Efficacy: 67lm/W
 Colour temp.: 5000K (Special Order)
 Beam angle: 10°
 CRI: 97
 Standard Deviation of colour matching (SDCM): 3MacAdams Steps



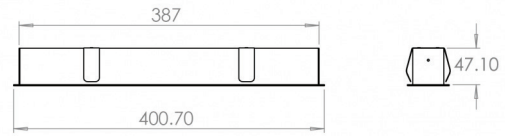
Source lumen output: 2790lm
 Delivered lumen: 2220lm
 Efficacy: 67lm/W
 Colour temp.: 5000K (Special Order)
 Beam angle: 40°
 CRI: 97
 Standard Deviation of colour matching (SDCM): 3MacAdams Steps

Dimensions (mm)

Front view



Side view



Electrical

Input voltage: 220-240V	Power usage: 33W	Driver power factor: >0.9	IP rating: IP44	Surge protection: 3100V
Dimmable: Yes	Driver: BG-033BSD-600mA BG-030SMART-250/1000mA		DC Cable Length: 0.3m	

Operational

Operating temp.: -30 to 85°C	Average temp.: 60°C	Ambient temp.: -28 to 55°C	Lifetime L70, B10: 50,000 hrs (@TA25)	Thermal rating: IC-4
Source Lumens: 2510lm or 2560lm or 2460lm or 2790lm	SDCM: 3MacAdam Steps			

Physical

Warranty: 7 years	Version: 2.0
-----------------------------	------------------------

Compatibility

Recommended Dimmers:
Compatible with leading home automation systems and dimmers.
Recommended Dimmers:
Universal, Trailing Edge, Leading Edge.
Dali option available on request.

Brightgreen Smart Lighting:
Dimmable LED driver utilises Zigbe 3.0 protocol
Compatible with universal Zigbee Hub products such as Philips Hue
Samsung Smart Things.
Follow pairing procedure found in smart driver datasheet
*For more details please call 1300 672 499 for advice on your installation.

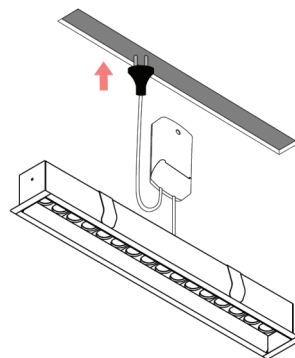
*For more details please refer to:
<https://brightgreen.com/digital-driver>
All systems are unique, please
call 1300 672 499 for advice on your installation.

Installation



Step 1

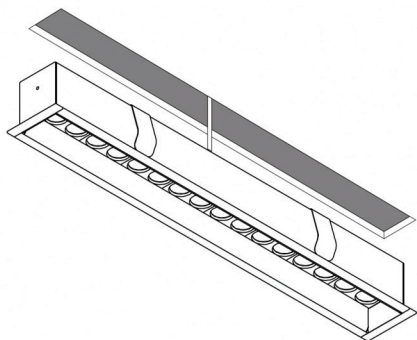
Using a router or jigsaw, cut out a 45x390mm hole in the ceiling at the desired location.



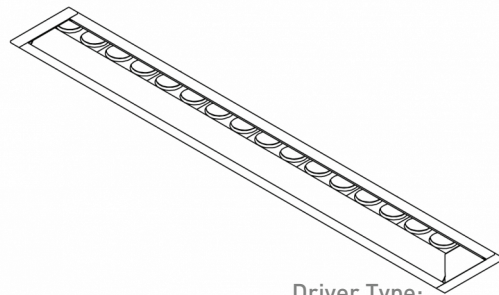
Step 2

Plug the driver into a mounted general power outlet (GPO) in the ceiling.

Installation



Step 3
Push the luminaire into the ceiling cavity.



Step 4
Installation complete.

Driver Type:
- [PHASE]
DALI (DALI)
SMART (SMART LIGHTING)
CASAMBI (CASAMBI)