

D2000+ Curve LED Downlight Datasheet



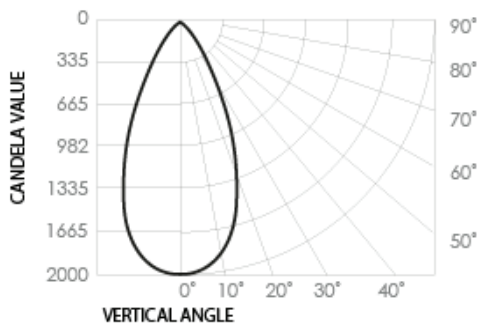
TRU-COLOUR®

Product codes

Unit:	Series:	Colour temp.:	Beam angle (°):	Colour:	Driver Type:
D2000+	CR	1.8K.3.1K (Nightshift)	24	B (Black)	PHASE (PHASE)
		2.8K.5.8K (Dayshift) (SMART)	38	W (White)	DALI (DALI)
		2.7K	45		ZIGBEE (ZIGBEE 3.0)
		3K	55		CASAMBI (CASAMBI)
		4K			010V (0-10V)
		5K			

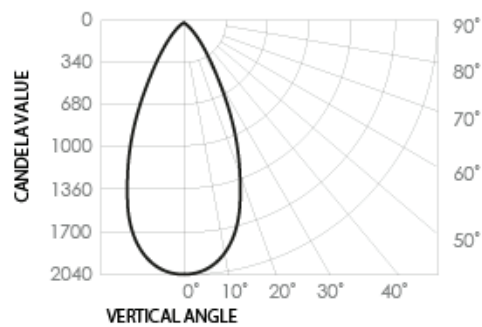
Photometrics

Standard Products



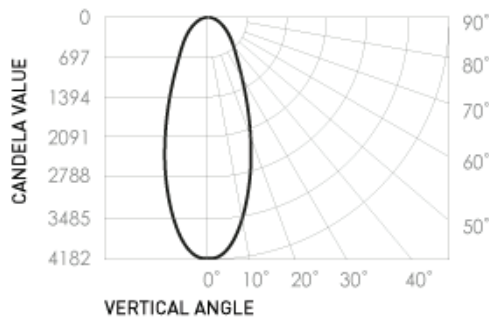
Source lumen output: 2100lm
 Delivered lumen: 2000lm
 Efficacy: 80lm/W
 Colour temp.: 3000K
 Beam angle: 55°
 CRI: 97

Standard Deviation of colour matching (SDCM): 2MacAdams Steps



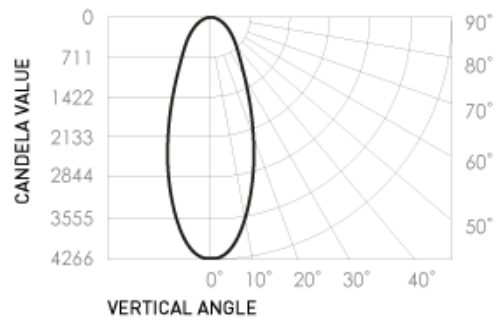
Source lumen output: 2140lm
 Delivered lumen: 2040lm
 Efficacy: 82lm/W
 Colour temp.: 4000K
 Beam angle: 55°
 CRI: 97

Standard Deviation of colour matching (SDCM): 2MacAdams Steps



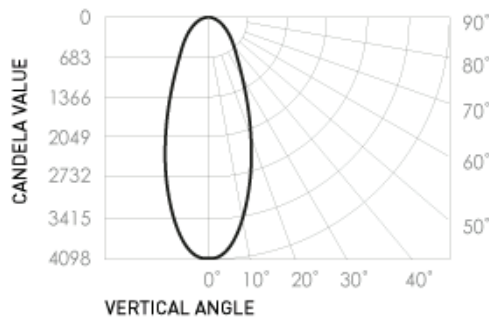
Source lumen output: 2100lm
 Delivered lumen: 2000lm
 Efficacy: 80lm/W
 Colour temp.: 3000K
 Beam angle: 45°
 CRI: 97

Standard Deviation of colour matching (SDCM): 2MacAdams Steps



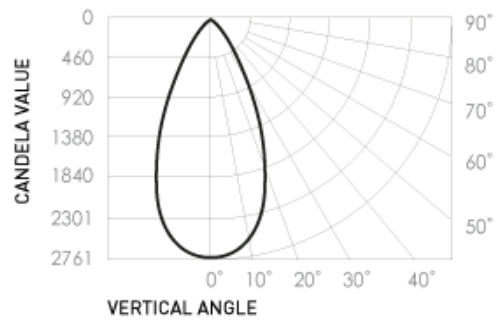
Source lumen output: 2140lm
 Delivered lumen: 2040lm
 Efficacy: 82lm/W
 Colour temp.: 4000K
 Beam angle: 45°
 CRI: 97

Standard Deviation of colour matching (SDCM): 2MacAdams Steps



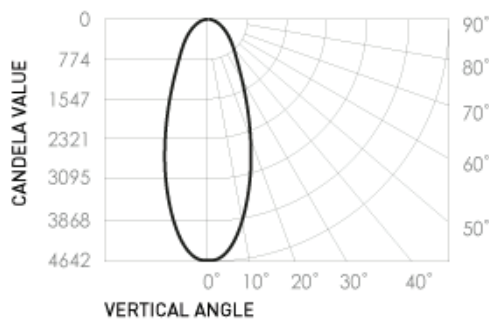
Source lumen output: 2055lm
 Delivered lumen: 1960lm
 Efficacy: 78lm/W
 Colour temp.: 2700K (Special Order)
 Beam angle: 45°
 CRI: 97

Standard Deviation of colour matching (SDCM): 2MacAdams Steps



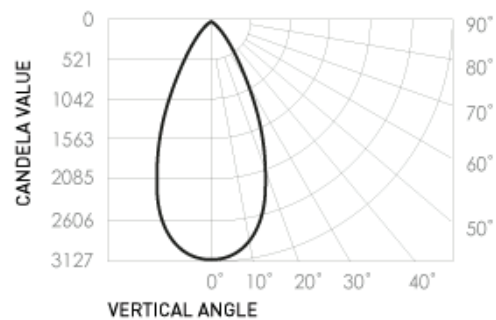
Source lumen output: 2055lm
 Delivered lumen: 1960lm
 Efficacy: 78lm/W
 Colour temp.: 2700K (Special Order)
 Beam angle: 55°
 CRI: 97

Standard Deviation of colour matching (SDCM): 2MacAdams Steps



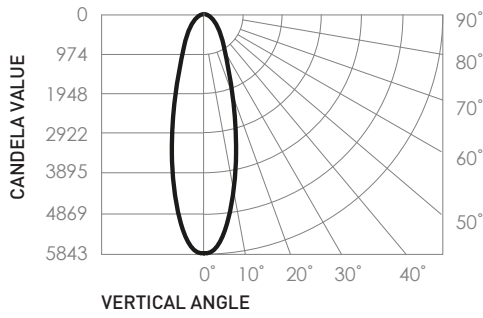
Source lumen output: 2330lm
 Delivered lumen: 2220lm
 Efficacy: 89lm/W
 Colour temp.: 5000K (Special Order)
 Beam angle: 45°
 CRI: 97

Standard Deviation of colour matching (SDCM): 2MacAdams Steps



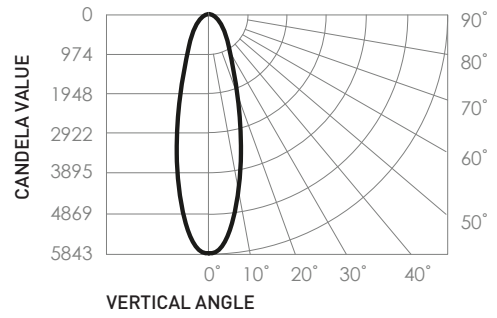
Source lumen output: 2330lm
 Delivered lumen: 2220lm
 Efficacy: 89lm/W
 Colour temp.: 5000K (Special Order)
 Beam angle: 55°
 CRI: 97

Standard Deviation of colour matching (SDCM): 2MacAdams Steps



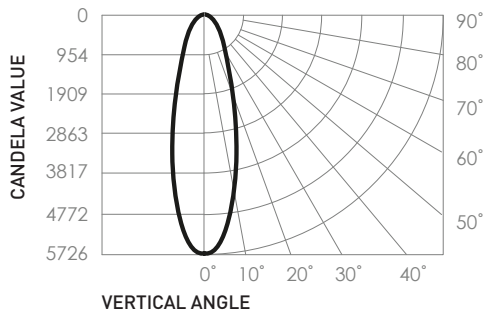
Source lumen output: 2100lm
 Delivered lumen: 2000lm
 Efficacy: 80lm/W
 Colour temp.: 1.8K.3.1K
 Beam angle: 38°
 CRI: 97

Standard Deviation of colour matching (SDCM): 2MacAdams Steps



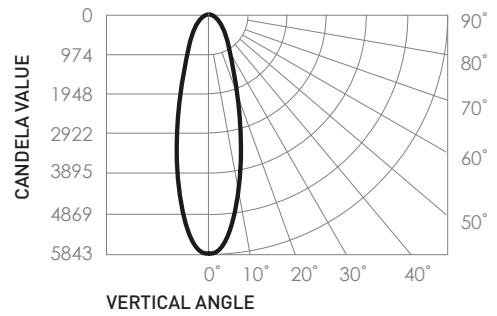
Source lumen output: 2100lm
 Delivered lumen: 2000lm
 Efficacy: 80lm/W
 Colour temp.: 2.8K.5.8K
 Beam angle: 38°
 CRI: 97

Standard Deviation of colour matching (SDCM): 2MacAdams Steps



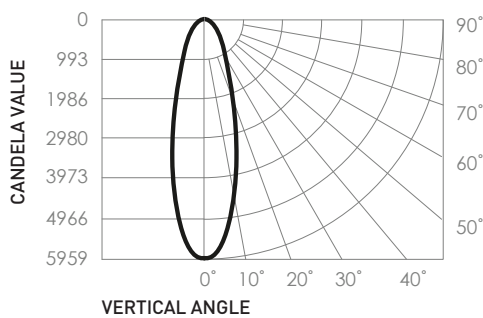
Source lumen output: 2055lm
 Delivered lumen: 1960lm
 Efficacy: 78lm/W
 Colour temp.: 2700K
 Beam angle: 38°
 CRI: 97

Standard Deviation of colour matching (SDCM): 2MacAdams Steps



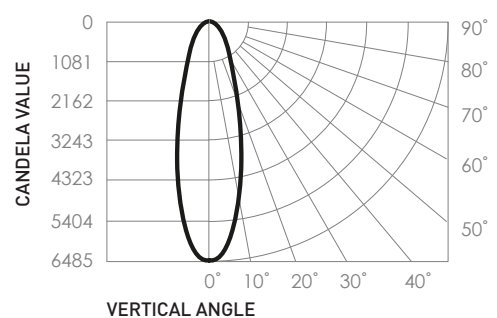
Source lumen output: 2100lm
 Delivered lumen: 2000lm
 Efficacy: 80lm/W
 Colour temp.: 3000K
 Beam angle: 38°
 CRI: 97

Standard Deviation of colour matching (SDCM): 2MacAdams Steps



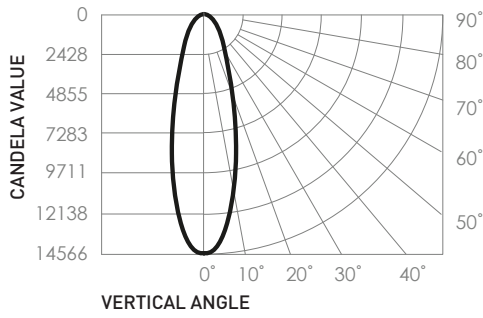
Source lumen output: 2140lm
 Delivered lumen: 2040lm
 Efficacy: 82lm/W
 Colour temp.: 4000K
 Beam angle: 38°
 CRI: 97

Standard Deviation of colour matching (SDCM): 2MacAdams Steps



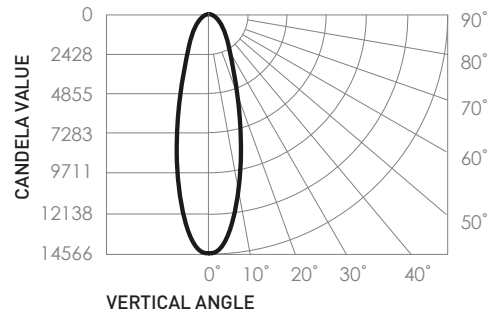
Source lumen output: 2330lm
 Delivered lumen: 2220lm
 Efficacy: 89lm/W
 Colour temp.: 5000K
 Beam angle: 38°
 CRI: 97

Standard Deviation of colour matching (SDCM): 2MacAdams Steps



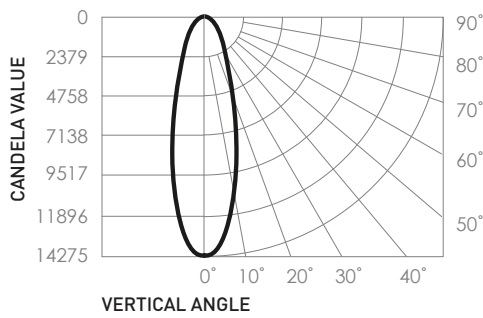
Source lumen output: 2100lm
 Delivered lumen: 2000lm
 Efficacy: 80lm/W
 Colour temp.: 1.8K.3.1K
 Beam angle: 24°
 CRI: 97

Standard Deviation of colour matching (SDCM): 2MacAdams Steps



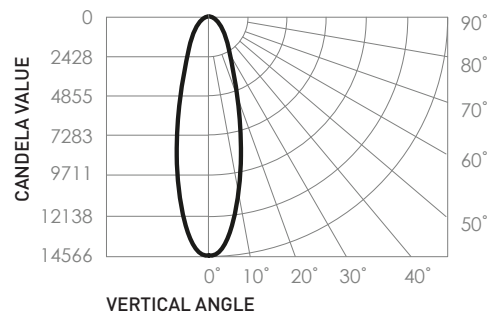
Source lumen output: 2100lm
 Delivered lumen: 2000lm
 Efficacy: 80lm/W
 Colour temp.: 2.8K.5.8K
 Beam angle: 24°
 CRI: 97

Standard Deviation of colour matching (SDCM): 2MacAdams Steps



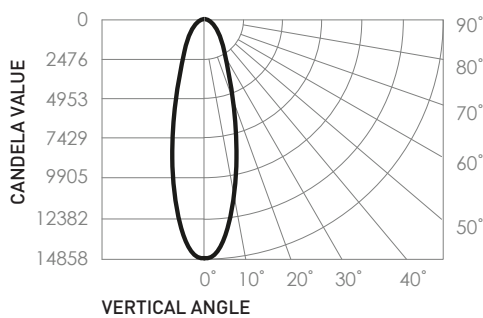
Source lumen output: 2055lm
 Delivered lumen: 1960lm
 Efficacy: 78lm/W
 Colour temp.: 2700K
 Beam angle: 24°
 CRI: 97

Standard Deviation of colour matching (SDCM): 2MacAdams Steps



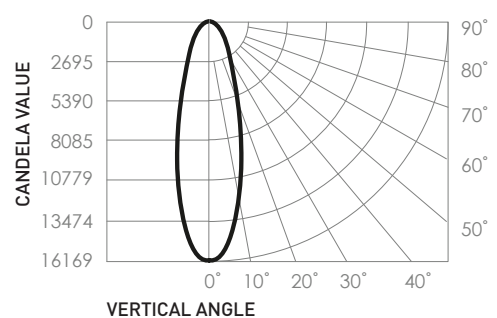
Source lumen output: 2100lm
 Delivered lumen: 2000lm
 Efficacy: 80lm/W
 Colour temp.: 3000K
 Beam angle: 24°
 CRI: 97

Standard Deviation of colour matching (SDCM): 2MacAdams Steps



Source lumen output: 2140lm
 Delivered lumen: 2040lm
 Efficacy: 82lm/W
 Colour temp.: 4000K
 Beam angle: 24°
 CRI: 97

Standard Deviation of colour matching (SDCM): 2MacAdams Steps

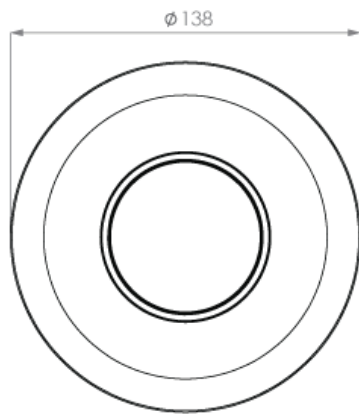


Source lumen output: 2330lm
 Delivered lumen: 2220lm
 Efficacy: 89lm/W
 Colour temp.: 5000K
 Beam angle: 24°
 CRI: 97

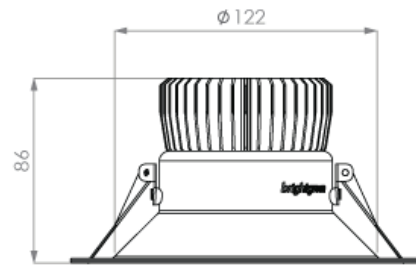
Standard Deviation of colour matching (SDCM): 2MacAdams Steps

Dimensions (mm)

Front view



Side view



Electrical

Input voltage: 220-240V	Power usage: 25W	Driver power factor: 0.9	IP rating: IP44	Surge protection: Yes
AC Cable length: 1.2m	Dimmable: Yes	Driver: BG-025DALI-OS-550mA, BG-030DALI-250mA.1000mA-DS (set to 750mA), BG-024BSD-550mA, BG-030ZIGBEE-250/1000- mA (set to 550mA), BG-030ZIGBEE-250/1000- mA-DS (set to 750mA)	DC Cable Length: 0.3m	

Operational

Average temp.: 65°C	Ambient temp.: -28 to 60°C	Lifetime L70, B10: 70,000 hrs (@TA25)	Thermal rating: IC-4	Source Lumens: 2100lm or 2140lm or 2055lm or 2330lm
SDCM: 2MacAdam Steps				

Physical

Warranty:
7 years

Compatibility

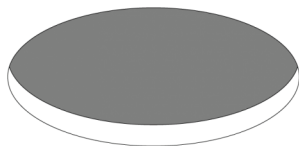
Recommended Dimmers:
Compatible with leading home automation systems and dimmers.
Recommended Dimmers:
Universal, Trailing Edge, Leading Edge.
Dali option available on request.

Brightgreen Smart Lighting:
Dimmable LED driver utilises Zigbe 3.0 protocol
Compatible with universal Zigbee Hub products such as Philips Hue
Samsung Smart Things.
Follow pairing procedure found in smart driver datasheet.

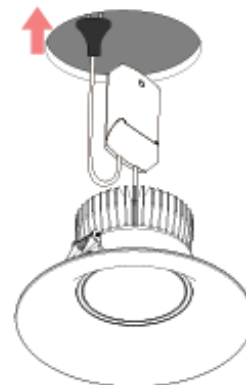
*For more details please call 1300 672 499 for advice on your installation.

*For more details please refer to:
<https://brightgreen.com/digital-driver>
All systems are unique, please
call 1300 672 499 for advice on your installation.

Installation

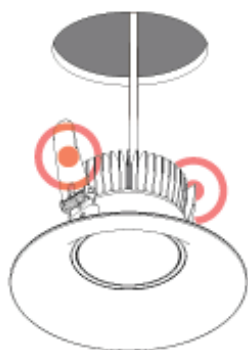


Step 1
Using a 127mm hole saw, cut a hole in the ceiling at the desired location.



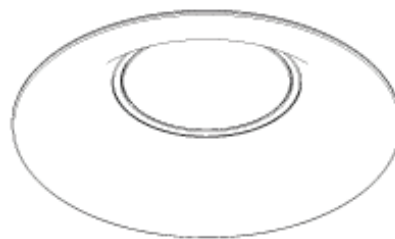
Step 2
Plug the driver into a mounted general power outlet (GPO) in the ceiling.

Installation



Step 3

Pull back the springs and insert the luminaire into the ceiling cavity. This luminaire can be covered and abutted with insulation.



Step 4

Installation complete.