

# D700+ LED downlight

## Datasheet



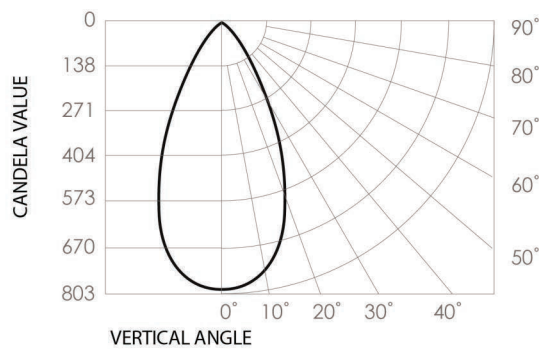
**TRU-COLOUR®**

### Product codes

Unit:	Series:	Colour temp.:	Beam angle (°):	Colour:	Driver Type:
D700+	CR	1.8K.3.1K	20	B (Black)	PHASE (PHASE)
		2.7K	35	W (White)	DALI (DALI)
		2.8K.5.8K (SMART)	55		ZIGBEE (ZIGBEE 3.0)
		3K			CASAMBI (CASAMBI)
		4K			010V (0-10V)
		5K			

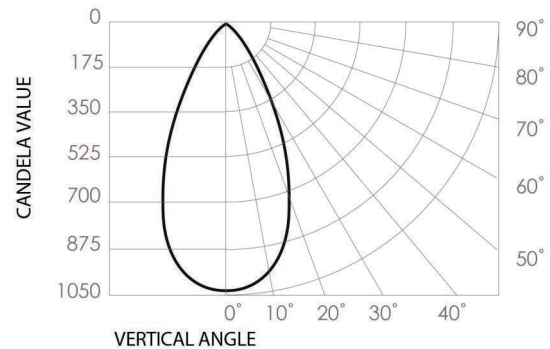
### Photometrics

#### Standard Products



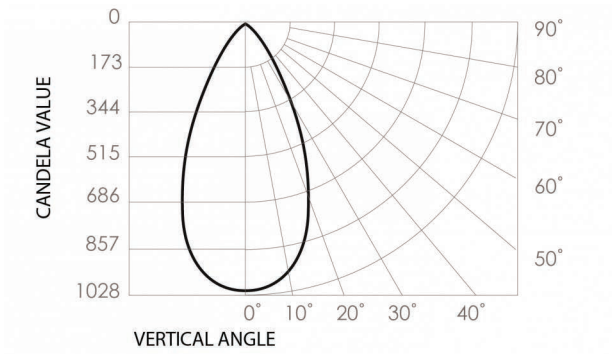
Source lumen output: 765lm  
 Delivered lumen: 570lm  
 Efficacy: 54lm/W  
 Colour temp.: 1.8K-3.1K (Night Shift)  
 Beam angle: 55°  
 CRI: 97

Standard Deviation of colour matching (SDCM): 2MacAdams Steps

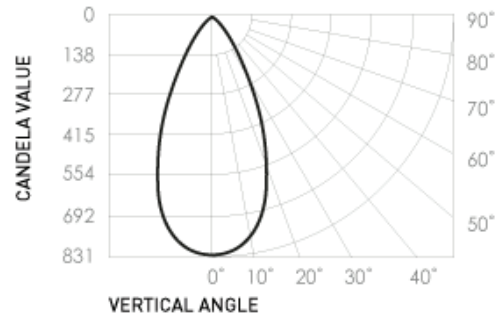


Source lumen output: 1000lm  
 Delivered lumen: 745lm  
 Efficacy: 70lm/W  
 Colour temp.: 4000K  
 Beam angle: 55°  
 CRI: 97

Standard Deviation of colour matching (SDCM): 2MacAdams Steps

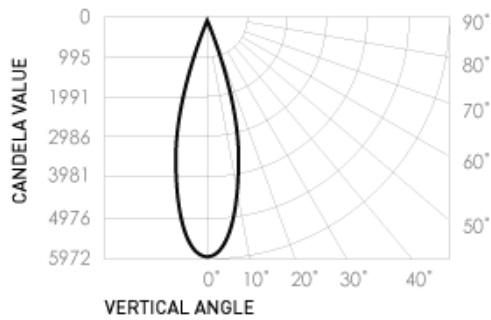


Source lumen output: 980lm  
 Delivered lumen: 730lm  
 Efficacy: 69lm/W  
 Colour temp.: 3000K  
 Beam angle: 55°  
 CRI: 97  
 Standard Deviation of colour matching (SDCM): 2MacAdams Steps

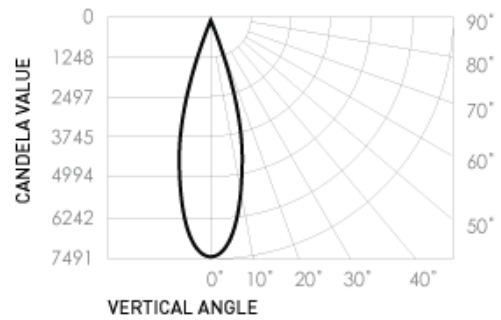


Source lumen output: 960lm  
 Delivered lumen: 715lm  
 Efficacy: 67lm/W  
 Colour temp.: 2700K  
 Beam angle: 55°  
 CRI: 97  
 Standard Deviation of colour matching (SDCM): 2MacAdams Steps

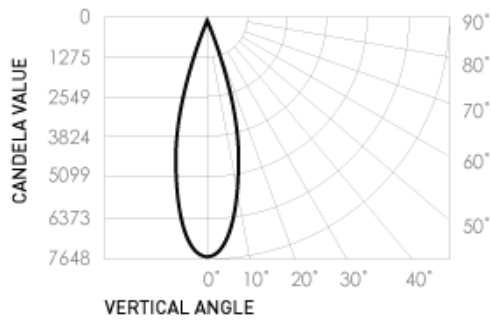
### Special Order Products



Source lumen output: 765lm  
 Delivered lumen: 570lm  
 Efficacy: 54lm/W  
 Colour temp.: 1.8K-3.1K (Night Shift)  
 Beam angle: 20 (Special Order)°  
 CRI: 97  
 Standard Deviation of colour matching (SDCM): 2MacAdams Steps

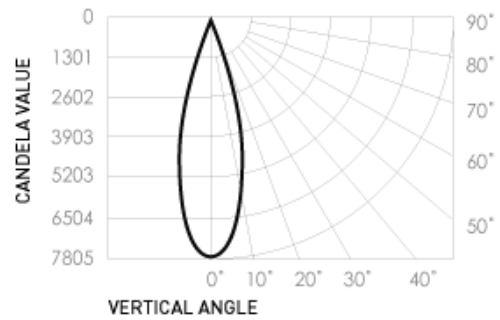


Source lumen output: 960lm  
 Delivered lumen: 715lm  
 Efficacy: 67lm/W  
 Colour temp.: 2700K  
 Beam angle: 20 (Special Order)°  
 CRI: 97  
 Standard Deviation of colour matching (SDCM): 2MacAdams Steps



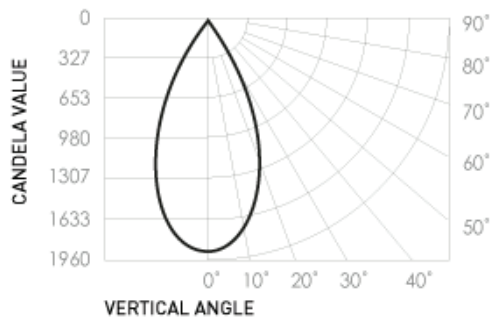
Source lumen output: 980lm  
 Delivered lumen: 730lm  
 Efficacy: 69lm/W  
 Colour temp.: 3000K  
 Beam angle: 20 (Special Order)°  
 CRI: 97

Standard Deviation of colour matching (SDCM): 2MacAdams Steps



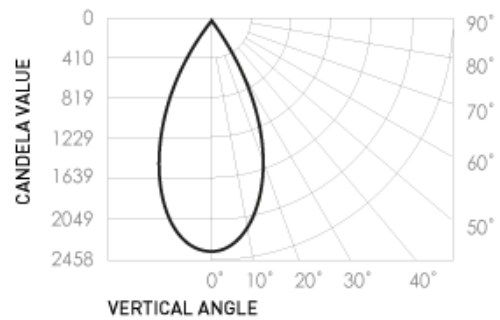
Source lumen output: 1000lm  
 Delivered lumen: 745lm  
 Efficacy: 70lm/W  
 Colour temp.: 4000K  
 Beam angle: 20 (Special Order)°  
 CRI: 97

Standard Deviation of colour matching (SDCM): 2MacAdams Steps



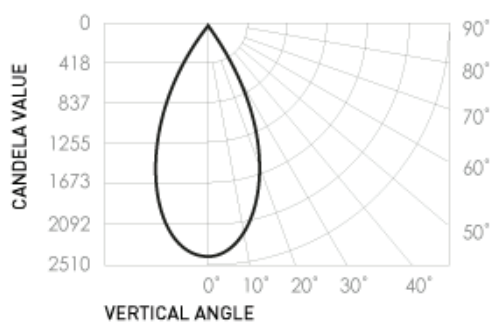
Source lumen output: 765lm  
 Delivered lumen: 570lm  
 Efficacy: 54lm/W  
 Colour temp.: 1.8K-3.1K (Night Shift)  
 Beam angle: 35 (Special Order)°  
 CRI: 97

Standard Deviation of colour matching (SDCM): 2MacAdams Steps



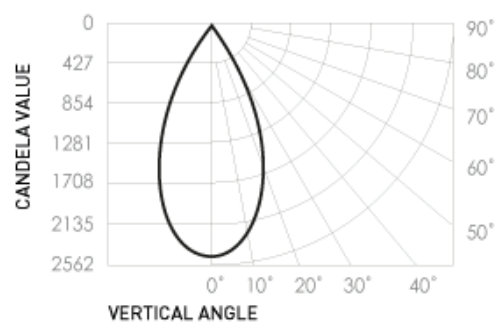
Source lumen output: 960lm  
 Delivered lumen: 715lm  
 Efficacy: 67lm/W  
 Colour temp.: 2700K  
 Beam angle: 35 (Special Order)°  
 CRI: 97

Standard Deviation of colour matching (SDCM): 2MacAdams Steps



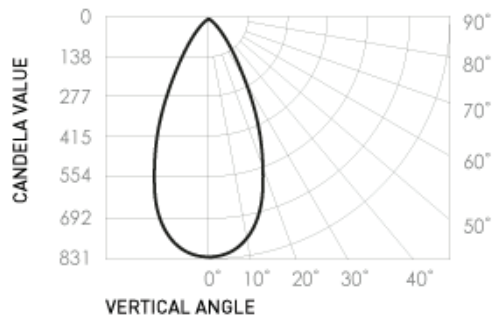
Source lumen output: 980lm  
 Delivered lumen: 730lm  
 Efficacy: 69lm/W  
 Colour temp.: 3000K  
 Beam angle: 35 (Special Order)°  
 CRI: 97

Standard Deviation of colour matching (SDCM): 2MacAdams Steps



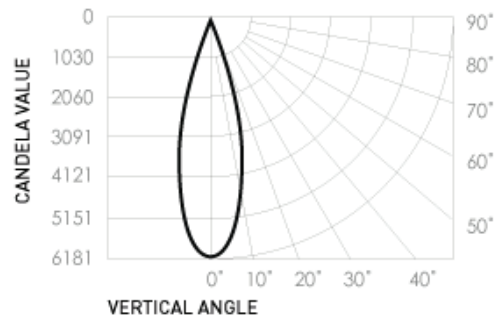
Source lumen output: 1000lm  
 Delivered lumen: 745lm  
 Efficacy: 70lm/W  
 Colour temp.: 4000K  
 Beam angle: 35 (Special Order)°  
 CRI: 97

Standard Deviation of colour matching (SDCM): 2MacAdams Steps



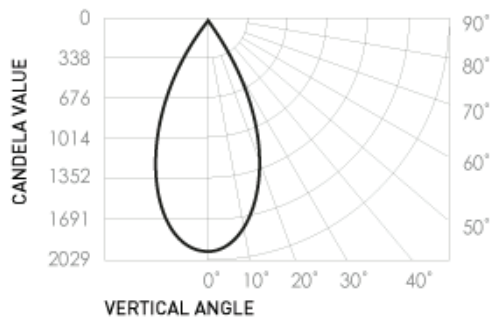
Source lumen output: 790lm  
 Delivered lumen: 590lm  
 Efficacy: 56lm/W  
 Colour temp.: 2.7K - 6.5K (Dayshift)(Special Order)  
 Beam angle: 55°  
 CRI: 97

Standard Deviation of colour matching (SDCM): 2MacAdams Steps



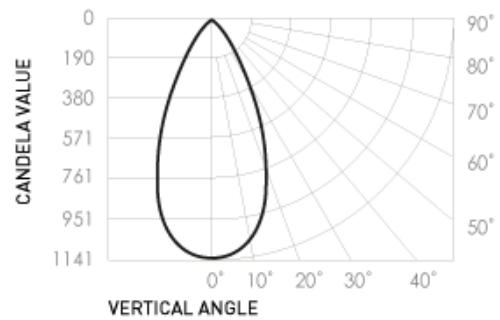
Source lumen output: 790lm  
 Delivered lumen: 590lm  
 Efficacy: 56lm/W  
 Colour temp.: 2.7K - 6.5K (Dayshift)(Special Order)  
 Beam angle: 20 (Special Order)°  
 CRI: 97

Standard Deviation of colour matching (SDCM): 2MacAdams Steps



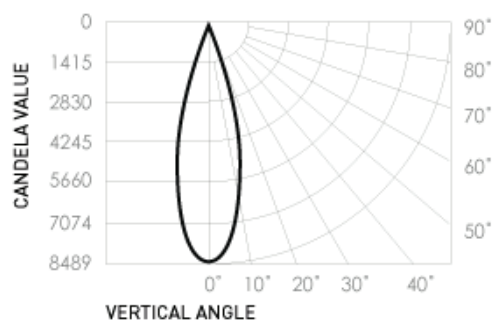
Source lumen output: 790lm  
 Delivered lumen: 590lm  
 Efficacy: 56lm/W  
 Colour temp.: 2.7K - 6.5K (Dayshift)(Special Order)  
 Beam angle: 35 (Special Order)°  
 CRI: 97

Standard Deviation of colour matching (SDCM): 2MacAdams Steps



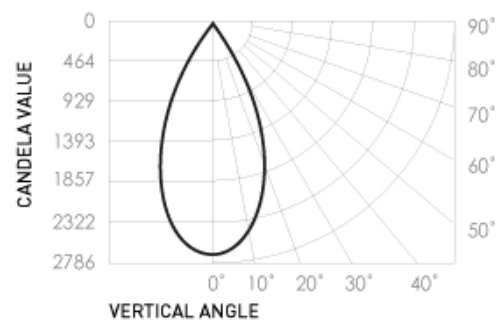
Source lumen output: 1085lm  
 Delivered lumen: 810lm  
 Efficacy: 76lm/W  
 Colour temp.: 5000K (Special Order)  
 Beam angle: 55°  
 CRI: 97

Standard Deviation of colour matching (SDCM): 2MacAdams Steps



Source lumen output: 1085lm  
 Delivered lumen: 810lm  
 Efficacy: 76lm/W  
 Colour temp.: 5000K (Special Order)  
 Beam angle: 20 (Special Order)°  
 CRI: 97

Standard Deviation of colour matching (SDCM): 2MacAdams Steps



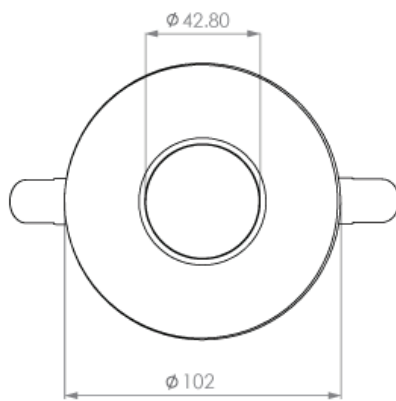
Source lumen output: 1085lm  
 Delivered lumen: 810lm  
 Efficacy: 76lm/W  
 Colour temp.: 5000K (Special Order)  
 Beam angle: 35 (Special Order)°  
 CRI: 97

Standard Deviation of colour matching (SDCM): 2MacAdams Steps

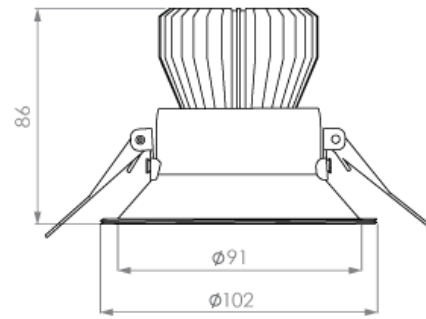
## Dimensions (mm)

---

Front view



Side view



## Electrical

<b>Input voltage:</b> 220-240V	<b>Power usage:</b> 10.6W	<b>Driver power factor:</b> 0.9	<b>IP rating:</b> IP44	<b>Surge protection:</b> Yes
<b>AC Cable length:</b> 1.2m	<b>Dimmable:</b> Yes	<b>Driver:</b> BG-015DALI-OS-235mA, BG-030DALI-250mA.1000mA-DS (set to 350mA), BG-010BSD-235mA, BG-030ZIGBEE-250/1000mA (set to 250mA), BG-350mA-ZIGBEE-DS	<b>DC Cable Length:</b> 0.3m	

## Operational

<b>Average temp.:</b> 65°C	<b>Ambient temp.:</b> -28 to 60°C	<b>Lifetime L70, B10:</b> 70,000 hrs (@TA25)	<b>Thermal rating:</b> IC-4	<b>Source Lumens:</b> 980lm or 1000lm or 960lm or 790lm or 765lm or 1085lm
<b>SDCM:</b> 2MacAdams Steps				

## Physical

<b>Weight:</b> 490g	<b>Gimbal angle:</b> 17° Universal	<b>Warranty:</b> 7 years
------------------------	---------------------------------------	-----------------------------

## Compatibility

### Recommended Dimmers:

Compatible with leading home automation systems and dimmers.

Recommended Dimmers:

Universal, Trailing Edge, Leading Edge.  
Dali option available on request.

### Brightgreen Smart Lighting:

Dimmable LED driver utilises Zigbee 3.0 protocol

Compatible with universal Zigbee Hub products such as Philips Hue Samsung Smart Things.

Follow pairing procedure found in smart driver datasheet

\*For more details please call 1300 672 499 for advice on your installation.

\*For more details please refer to:

<https://brightgreen.com/digital-driver>

All systems are unique, please

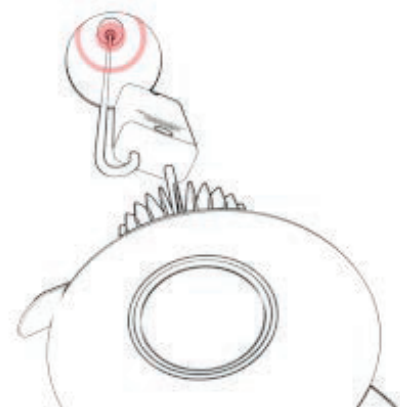
call 1300 672 499 for advice on your installation.

## Installation



### Step 1

Using a 92mm hole saw, cut a hole in the ceiling at the desired location.

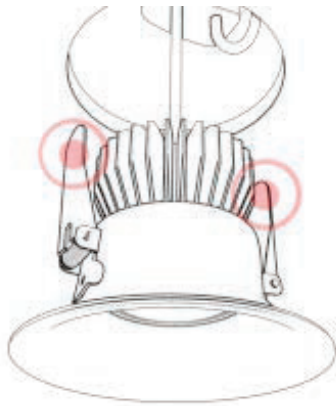


### Step 2

Plug the driver into a mounted general power outlet (GPO) in the ceiling. This luminaire can be covered and abutted with insulation.

## Installation

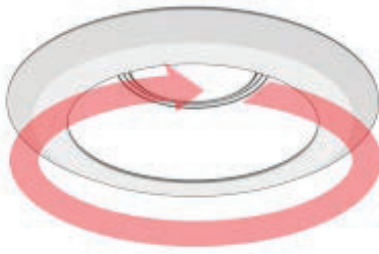
---



**Step 3**  
Pull back the springs and insert the luminaire into the ceiling cavity.



**Step 4**  
For installation with a fascia, align the luminaire with the fascia and screw clockwise until firmly in place.



**Step 5**  
Thread the fascia clockwise until firmly in place.  
Installation complete.