

# D900 Curve LED downlight

## Datasheet

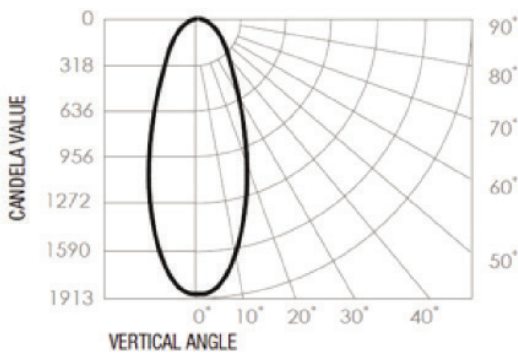


### Product codes

Unit:	Series:	Colour temp.:	Beam angle (°):	Colour:	Driver Type:
D900.CL	CR	1.8K.3.1K	27	S (Silver)	- (PHASE)
		2.7K	45	W (White)	DALI (DALI)
		2.8K.5.8K	55		SMART (ZIGBEE 3.0)
		3K			CASAMBI (CASAMBI)
		4K			
		5K			

### Photometrics

#### Standard Products



Source lumen output: 1290lm

Delivered lumen: 1015lm

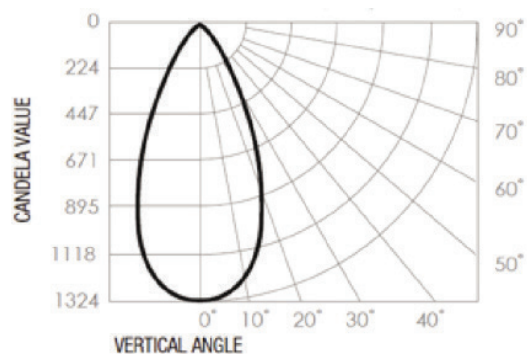
Efficacy: 76lm/W

Colour temp.: 3000K

Beam angle: 45°

CRI: 97

Standard Deviation of colour matching (SDCM): 2MacAdams Steps



Source lumen output: 1290lm

Delivered lumen: 1015lm

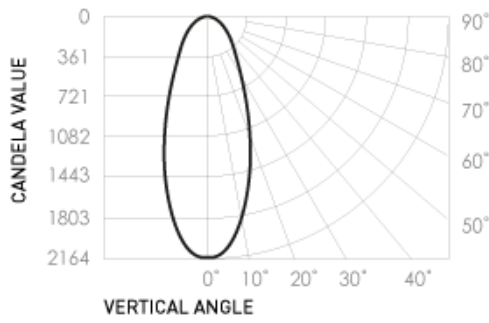
Efficacy: 76lm/W

Colour temp.: 3000K

Beam angle: 55°

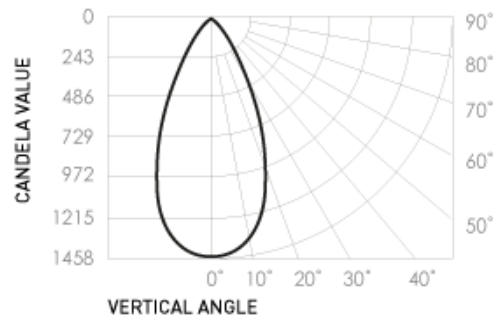
CRI: 97

Standard Deviation of colour matching (SDCM): 2MacAdams Steps



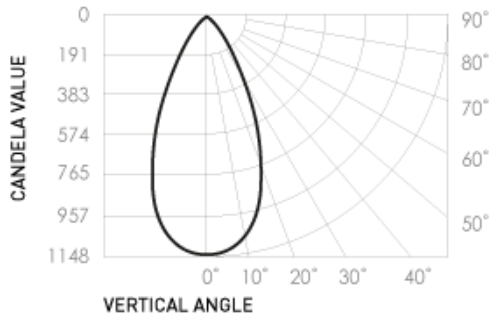
Source lumen output: 1315lm  
 Delivered lumen: 1035lm  
 Efficacy: 78lm/W  
 Colour temp.: 4000K  
 Beam angle: 45°  
 CRI: 97

Standard Deviation of colour matching (SDCM): 2MacAdams Steps



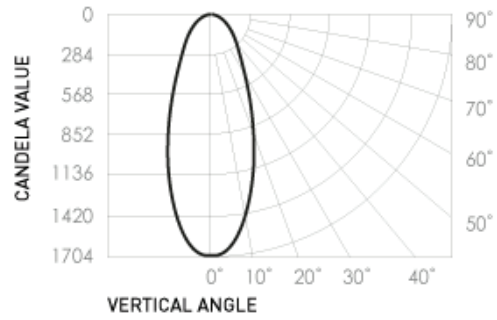
Source lumen output: 1315lm  
 Delivered lumen: 1035lm  
 Efficacy: 78lm/W  
 Colour temp.: 4000K  
 Beam angle: 55°  
 CRI: 97

Standard Deviation of colour matching (SDCM): 2MacAdams Steps



Source lumen output: 870lm  
 Delivered lumen: 815lm  
 Efficacy: 61lm/W  
 Colour temp.: 1.8K-3.1K (Night Shift)  
 Beam angle: 55°  
 CRI: 97

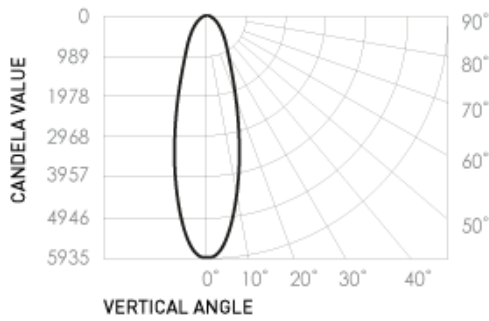
Standard Deviation of colour matching (SDCM): 2MacAdams Steps



Source lumen output: 870lm  
 Delivered lumen: 815lm  
 Efficacy: 61lm/W  
 Colour temp.: 1.8K-3.1K (Night Shift)  
 Beam angle: 45°  
 CRI: 97

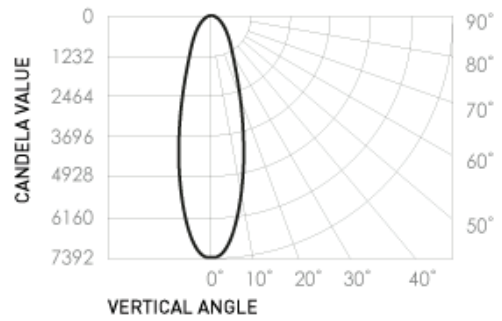
Standard Deviation of colour matching (SDCM): 2MacAdams Steps

## Special Order Products



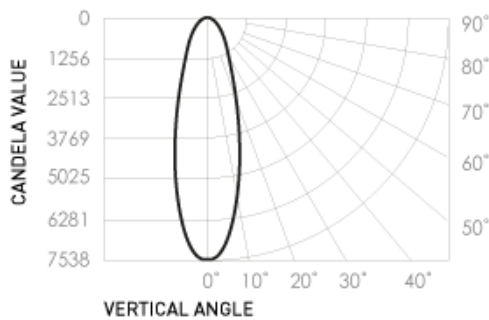
Source lumen output: 870lm  
 Delivered lumen: 815lm  
 Efficacy: 61lm/W  
 Colour temp.: 1.8K-3.1K (Night Shift)  
 Beam angle: 27 (Special Order)°  
 CRI: 97

Standard Deviation of colour matching (SDCM): 2MacAdams Steps



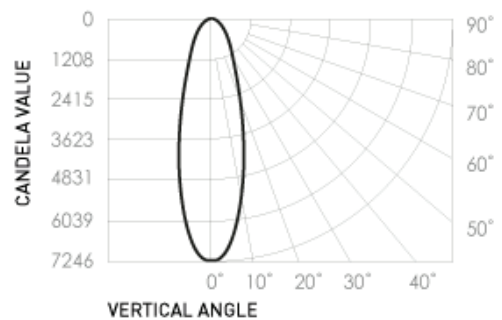
Source lumen output: 1290lm  
 Delivered lumen: 1015lm  
 Efficacy: 76lm/W  
 Colour temp.: 3000K  
 Beam angle: 27 (Special Order)°  
 CRI: 97

Standard Deviation of colour matching (SDCM): 2MacAdams Steps



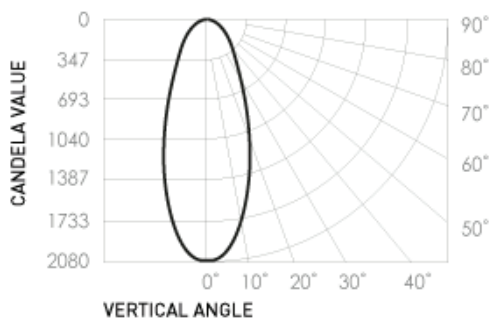
Source lumen output: 1315lm  
 Delivered lumen: 1035lm  
 Efficacy: 78lm/W  
 Colour temp.: 4000K  
 Beam angle: 27 (Special Order)°  
 CRI: 97

Standard Deviation of colour matching (SDCM): 2MacAdams Steps



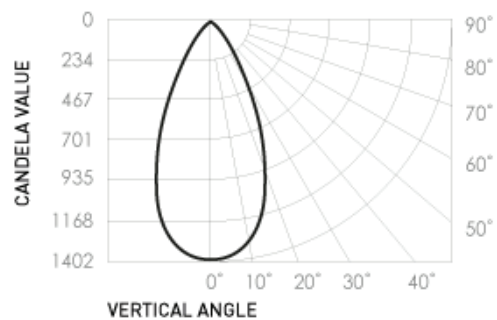
Source lumen output: 1265lm  
 Delivered lumen: 995lm  
 Efficacy: 75lm/W  
 Colour temp.: 2700K (Special Order)  
 Beam angle: 27 (Special Order)°  
 CRI: 97

Standard Deviation of colour matching (SDCM): 2MacAdams Steps



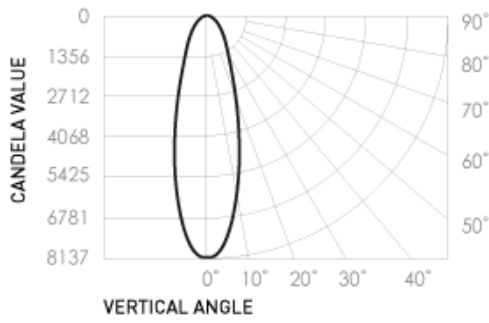
Source lumen output: 1265lm  
 Delivered lumen: 995lm  
 Efficacy: 75lm/W  
 Colour temp.: 2700K (Special Order)  
 Beam angle: 45°  
 CRI: 97

Standard Deviation of colour matching (SDCM): 2MacAdams Steps



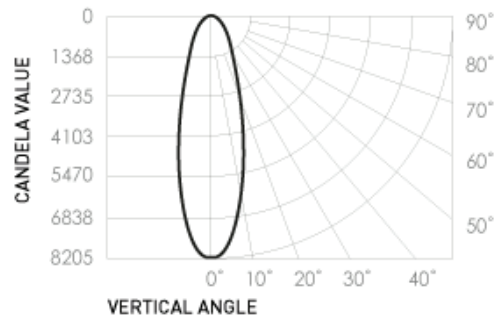
Source lumen output: 1265lm  
 Delivered lumen: 995lm  
 Efficacy: 75lm/W  
 Colour temp.: 2700K (Special Order)  
 Beam angle: 55°  
 CRI: 97

Standard Deviation of colour matching (SDCM): 2MacAdams Steps



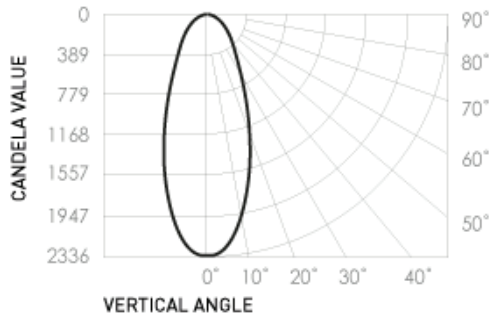
Source lumen output: 1420lm  
 Delivered lumen: 1115lm  
 Efficacy: 84lm/W  
 Colour temp.: 2.8K - 5.8K (Dayshift)  
 Beam angle: 27 (Special Order)<sup>o</sup>  
 CRI: 97

Standard Deviation of colour matching (SDCM): 2MacAdams Steps



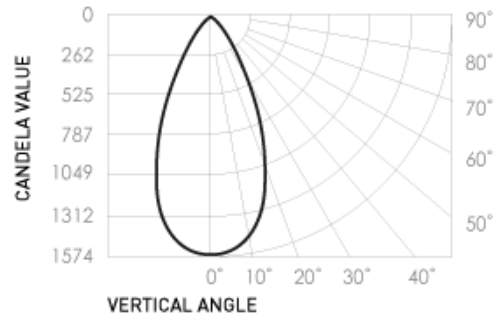
Source lumen output: 1430lm  
 Delivered lumen: 1125lm  
 Efficacy: 85lm/W  
 Colour temp.: 5000K (Special Order)  
 Beam angle: 27 (Special Order)<sup>o</sup>  
 CRI: 97

Standard Deviation of colour matching (SDCM): 2MacAdams Steps



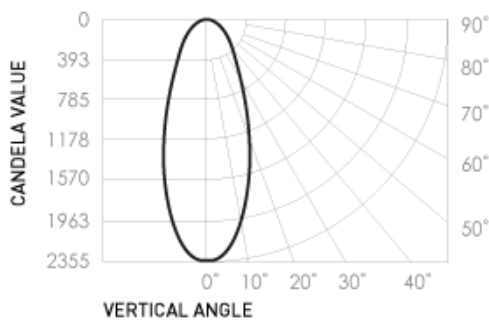
Source lumen output: 1420lm  
 Delivered lumen: 1115lm  
 Efficacy: 84lm/W  
 Colour temp.: 2.8K - 5.8K (Dayshift)  
 Beam angle: 45<sup>o</sup>  
 CRI: 97

Standard Deviation of colour matching (SDCM): 2MacAdams Steps



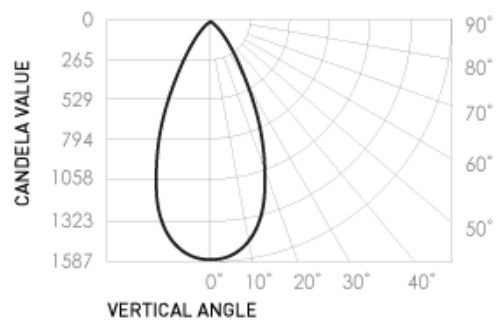
Source lumen output: 1420lm  
 Delivered lumen: 1115lm  
 Efficacy: 84lm/W  
 Colour temp.: 2.8K - 5.8K (Dayshift)  
 Beam angle: 55<sup>o</sup>  
 CRI: 97

Standard Deviation of colour matching (SDCM): 2MacAdams Steps



Source lumen output: 1430lm  
 Delivered lumen: 1125lm  
 Efficacy: 85lm/W  
 Colour temp.: 5000K (Special Order)  
 Beam angle: 45<sup>o</sup>  
 CRI: 97

Standard Deviation of colour matching (SDCM): 2MacAdams Steps



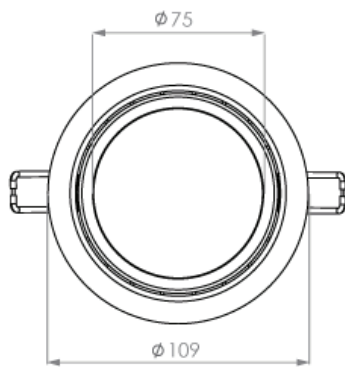
Source lumen output: 1430lm  
 Delivered lumen: 1125lm  
 Efficacy: 85lm/W  
 Colour temp.: 5000K (Special Order)  
 Beam angle: 55<sup>o</sup>  
 CRI: 97

Standard Deviation of colour matching (SDCM): 2MacAdams Steps

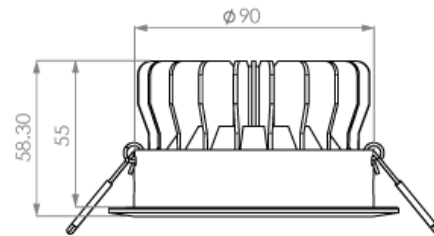
## Dimensions (mm)

---

Front view



Side view



## Electrical

<b>Input voltage:</b> 220-240V	<b>Power usage:</b> 13.3W	<b>Driver power factor:</b> 0.88	<b>IP rating:</b> IP44	<b>Surge protection:</b> 3100V
<b>AC Cable length:</b> 1.5m	<b>Dimmable:</b> Yes	<b>Driver:</b> BG-018BSD-320mA BG-030SMART-250/1000mA-DS (set to 500mA)	<b>DC Cable Length:</b> 0.3m	

## Operational

<b>Operating temp.:</b> -30 to 81°C	<b>Average temp.:</b> 56°C	<b>Ambient temp.:</b> -28 to 70°C	<b>Lifetime L70, B10:</b> 70,000 hrs (@TA25)	<b>Thermal rating:</b> IC-4
<b>Source Lumens:</b> 1315lm or 870lm or 1290lm or 1265lm or 1420lm or 1430lm	<b>SDCM:</b> 2MacAdam Steps			

## Physical

<b>Weight:</b> 472g	<b>Gimbal angle:</b> ±15°	<b>Warranty:</b> 7 years	<b>Outer Body:</b> White Outer or Silver Outer	<b>Version:</b> 3.5
<b>Style:</b> Capsule	<b>Filters:</b> Amber	<b>Fascia Size:</b> 108	<b>Filter size:</b> 100	

## Compatibility

### Recommended Dimmers:

Compatible with leading home automation systems and dimmers.

Recommended Dimmers:

Universal, Trailing Edge, Leading Edge.

Dali option available on request.

### Brightgreen Smart Lighting:

Dimmable LED driver utilises Zigbee 3.0 protocol

Compatible with universal Zigbee Hub products such as Philips Hue Samsung Smart Things.

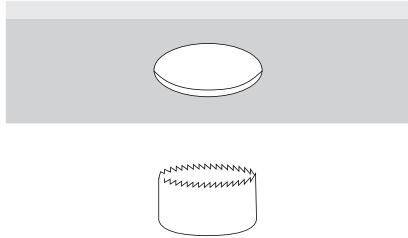
Follow pairing procedure found in smart driver datasheet

\*For more details please call 1300 672 499 for advice on your installation.

\*For more details please refer to:  
<https://brightgreen.com/digital-driver>  
All systems are unique, please  
call 1300 672 499 for advice on your installation.

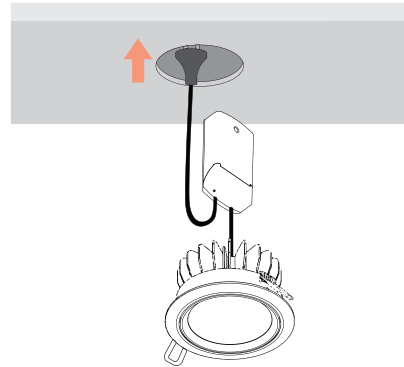
## Installation

---



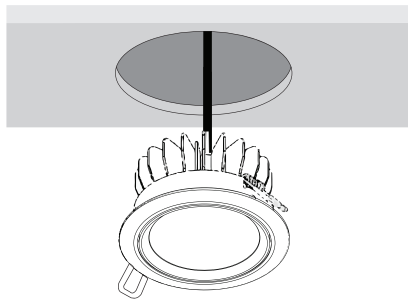
### Step 1

Using a 95mm hole saw, cut a hole in the ceiling at the desired location.



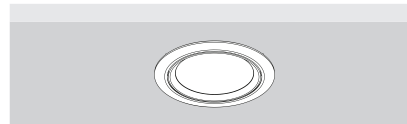
### Step 2

Plug the driver into a mounted general power outlet (GPO) in the ceiling.



### Step 3

Pull back the springs and insert the luminaire into the ceiling cavity. This luminaire can be covered and abutted with insulation.



### Step 4

Once the light is installed, orient the luminaire using its gimbal to focus the light as required.