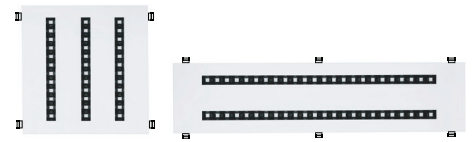


LP3200.A-CB LED Panel Lights

Datasheet



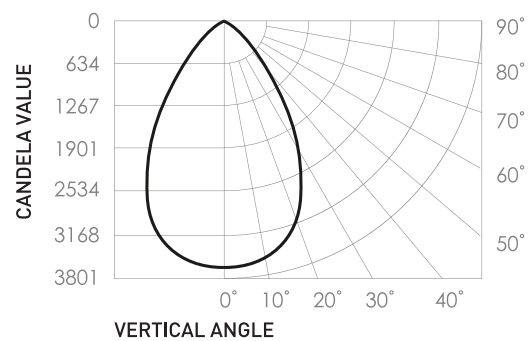
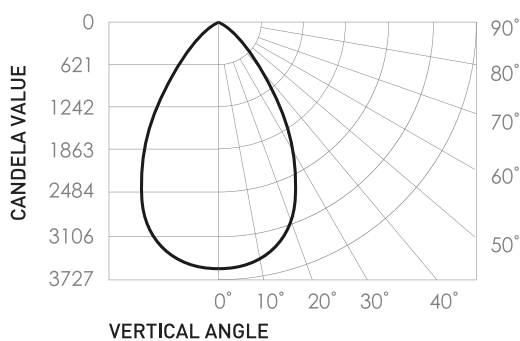
Product codes

Unit: LP3200.A	Series: CB	Dimension: 0606 (595mmx595mm) 0312 (295mmx1195mm)	Colour temp: 2.7K (2700K) 3K (3000K) 4K (4000K) 5K (5000K) RGBW 1.8K-3K (1800K-3000K) (Nighshift) 2.7K-6K (2700K-6000K) (Dayshift)	Beam angle (°): WF60
UGR: UGR15	Color: White	Driver: ND (Non-Dimmable) SMART (Zigbee 3.0) Phase DALI CASAMBI	Accessories: Surface Box: COM-LP3200-SB-0606; COM-LP3200-SB-0312	

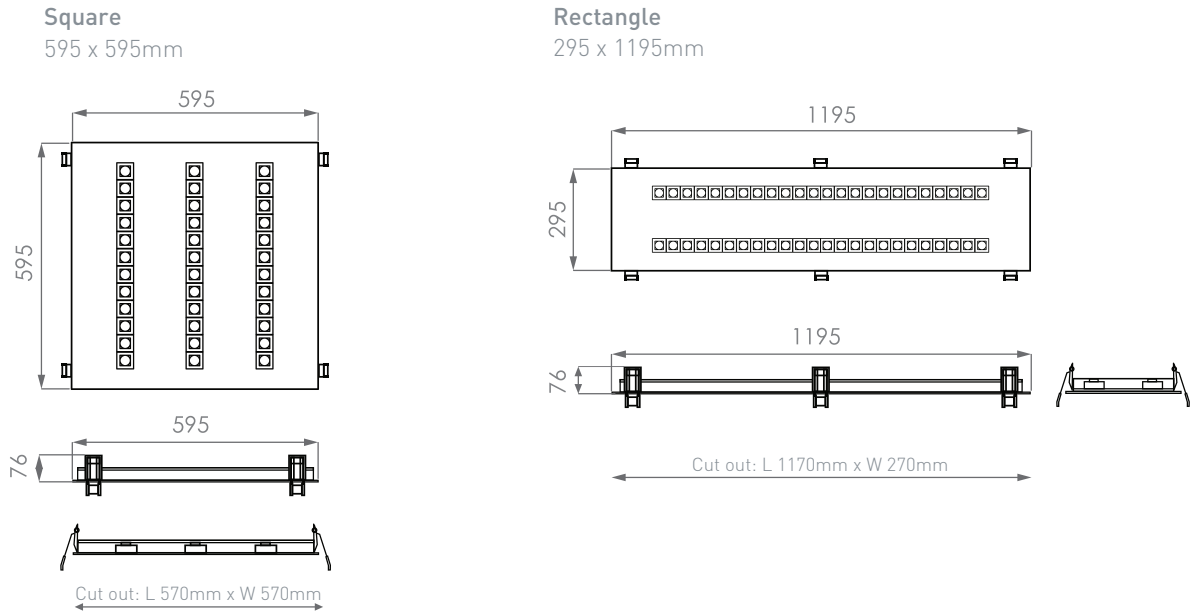
Photometrics

CCT: 3000K, 1800K-3000K
Efficacy (TRU COLOUR): 87lm/W
Source lumen output: 3608lm
Delivered lumen output: 3137lm
Beam angle: WF60°
CRI: >97
Standard Deviation of Colour Matching (SDCM): 3 MacAdam steps

CCT: 4000K, 2700K-6000K
Efficacy (TRU COLOUR): 88lm/W
Source lumen output: 3680lm
Delivered lumen output: 3200lm
Beam angle: WF60°
CRI: >97
Standard Deviation of Colour Matching (SDCM): 3 MacAdam steps



Dimensions (mm)



Electrical

Input Voltage 220-270V	Power Usage: 36W	IP rating: IP44	Surge protection: 3100V	Driver power factor: >0.9
Dimmable Options Available	Driver: ND (Non-Dimmable) SMART (Zigbee 3.0) Phase DALI CASAMBI	Ambient Map: -28 to 60°C	AC Cable Length: 1.2	

Operational

Source Lumens: 3680lm	Delivered Lumens: 3200lm	CRI Value: Tru Colour: >97	Lifetime L70, B10: 70,000 hrs (@TA25)
Warranty: 7 years	UGR: <15		

Physical

Materials:
Aluminum
UV-protected PMMA

Compatibility

Dimming:
Non-Dimmable (ND)
Digital Driver (PHASE) - Compatible with leading home automation systems and dimmers.
Recommended Dimmers: Universal, Trailing Edge, Leading Edge.
DALI (DALI),
SMART (Zigbee 3.0)
CASAMBI (CASAMBI)

Note: For RGB, RGBW and Dayshift CCTs, Non-dimmable and Phase drivers are not applicable.