

# RODI.TR - Trailing Edge Rotary Dimmer Datasheet



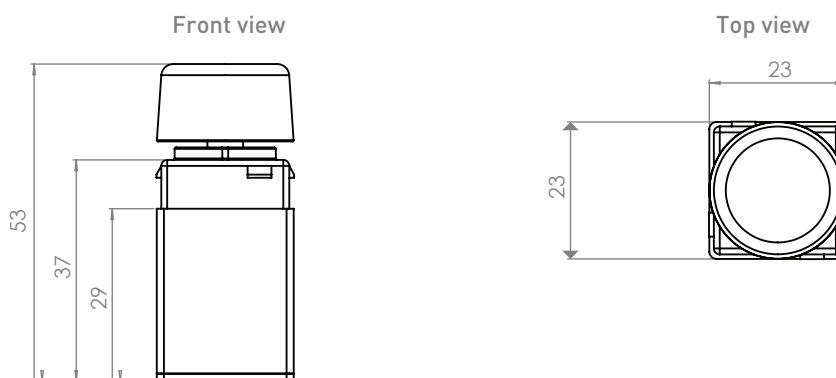
## Product codes

**Unit:**  
RODI

**Dim Type:**  
TR

**Load:**  
400W

## Dimensions (mm)



## Electrical

**Input Voltage:**  
220-240 V

**Max Lamp Load:**  
200W @1 gang  
400W @1 gang  
Derate for multi-gang applications

**Rated Power:**  
400W

**Mounting centres:**  
84mm Australian pattern plate

**Frequency:**  
50 Hz

**Min Lamp Load:**  
5W

**Withsand Voltage I/P-O/P:**  
3750 VAC

## Operational

**Dimming Technology:**  
Trailing edge phase control

**Operational Temp:**  
0-40°C

Suitable for indoor use only

**Control:**  
Rotary Control

**Safety Standard:**  
AS/NZS3100, AS/NZS3133,  
IEC60669-2-1

No user serviceable  
parts inside

**Warranty:**  
5 years

**EMC:**  
AS/NZS CISPR15,  
IEC60669-2-1 (26.1, 26.2),  
IEC61000-3-2  
(Except when used in conjunction  
with electronic loads)

## Load compatibility



Dimmable LED lighting



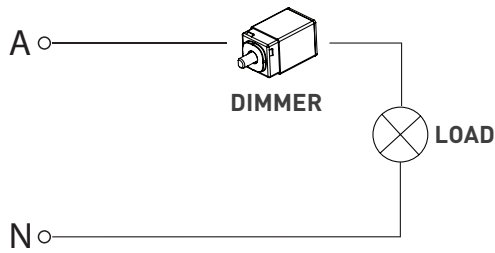
Incandescent lighting  
240V halogen lamps



Low voltage halogen lighting  
with electronic transformers

## Features

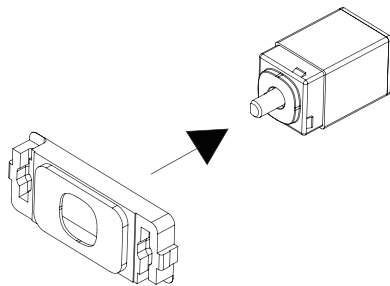
- Rotary controlled, modular dimmer mechanism rated at 400W
- Advanced dimming technology, designed specifically for deep dimming with LED lamps
- Compatibility with incandescent, 240V halogen and low voltage halogen lamps with dimmable electronic transformers
- Up to 6 dimmers can be installed in a plate
- Two-wire phase control wall plate
- Wall or architrave mounting options
- Suitable for new or retrofit applications
- Over-current and thermal fuse cut-off (non-recoverable), making it capable of withstanding persistent short circuit conditions
- Immunity to high frequency (ripple) signal injection on mains supply
- Complies with Australian and International EMC standards



### Step 1

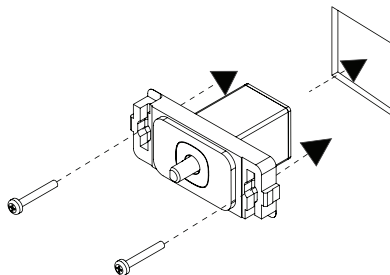
Correctly wire the dimmer to the circuit

- This LED dimmer is designed for one-way operation only.
- Two or more dimmers cannot be connected in parallel to control the same load from two different locations.
- Dimmer mechanism wiring is not polarity sensitive.



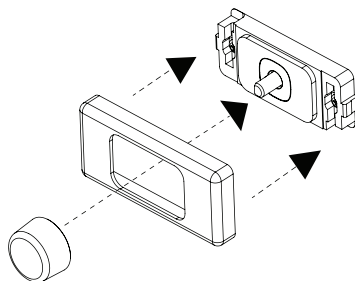
### Step 2

Snap a suitable switch fitting to the dimmer module.



### Step 3

Insert the unit to a wall cut-out or wall box and secure using fastening screws or bolts.



### Step 4

Snap to top plate onto the fixed unit and attach the rotary module.