

T1000.H.MOON Curve LED Track Light

Datasheet



Product codes

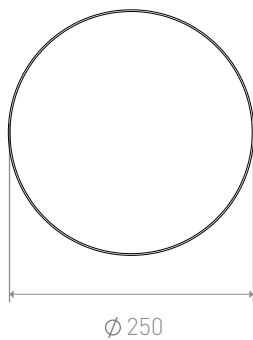
Unit: T1000.H.MOON	Base Type: H1 (H-Track) E3 (Eurotrack)	Series: CR	Colour temp.: 2.7K 3K 4K 5K	Beam angle (°): DF120	Colour: B (Black) W (White)	Version: 1.0	Driver: ND (Non-Dimmable)
------------------------------	-----------------------------------------------------	----------------------	------------------------------------------------	---------------------------------	------------------------------------------	------------------------	----------------------------------------

Electrical

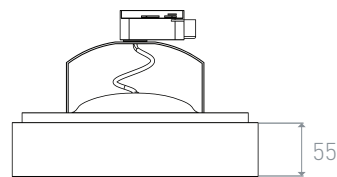
Colour temperature: 2700K or 3000K or 4000K or 5000K	Input voltage: 220-240V	Power usage: 16W	Driver power factor: >0.6	IP rating: IP20	Dimmable: Non-dimming
-------------------------------------------------------------------	-----------------------------------	----------------------------	-------------------------------------	---------------------------	---------------------------------

Dimensions (mm)

Front view



Side view



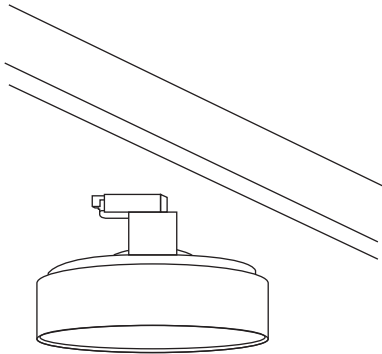
Operational

Lumen output: 2.7K: 1030 lm 3K: 1050 lm 4K: 1070 lm 5K: 1165 lm	Light quality (CRI): >90CRI	Ambient temp.: -20°C to 50°C
------------------------------------------------------------------------------------	---------------------------------------	----------------------------------------

Physical

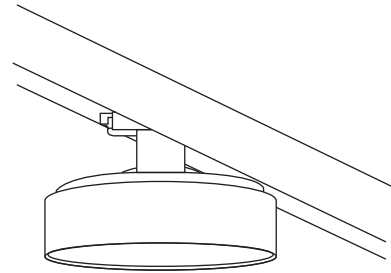
Warranty: 5 years	Mounting type: Track
-----------------------------	--------------------------------

Installation



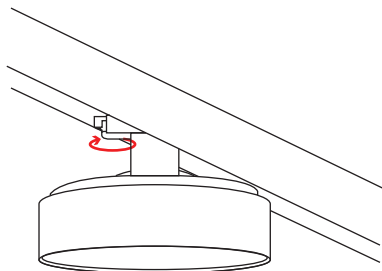
Step 1

Align the track connector with the track.



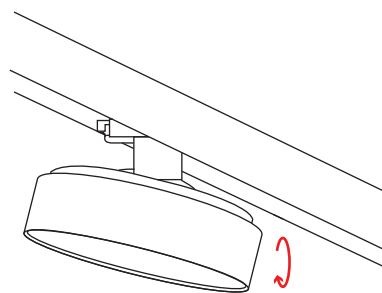
Step 2

Insert the T1000.H.MOON-CR into the track channel, ensuring the track base tabs are in the open position and that the direction of the T1000.H.MOON-CR is correct. This is dependent on where the contact points are in the track.



Step 3

Push the locking tabs into the track base to secure the fitting.



Step 4

Once the light is locked into the track, orient the luminaire to focus the light as required.