

T900.H Curve LED track light

Datasheet

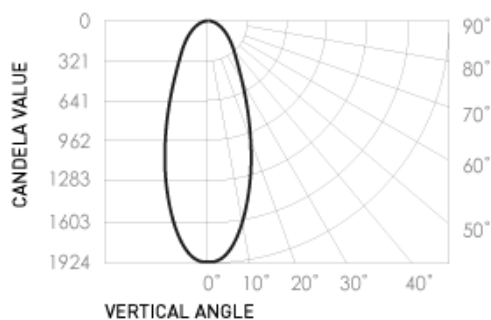


Product codes

Unit:	Base type:	Series:	Colour temp.:	Beam angle (°):	Colour:	Driver Type:
T900.H	E3 H1	CR	1.8K.3.1K 2.7K 2.8K.5.8K(SMART) 3K 4K 5K	27 45 55	B (Black) W (White)	- (PHASE) DALI (DALI) SMART (ZIGBEE 3.0) CASAMBI (CASAMBI)

Photometrics

Standard Products



Source lumen output: 1415lm

Delivered lumen: 920lm

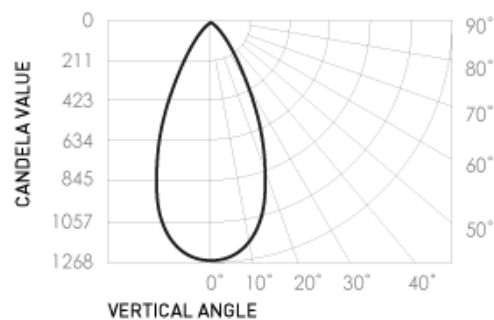
Efficacy: 56lm/W

Colour temp.: 4000K

Beam angle: 45°

CRI: 97

Standard Deviation of colour matching (SDCM): 2MacAdams Steps



Source lumen output: 1385lm

Delivered lumen: 900lm

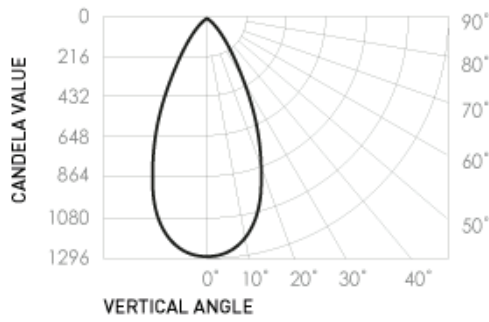
Efficacy: 55lm/W

Colour temp.: 3000K

Beam angle: 55°

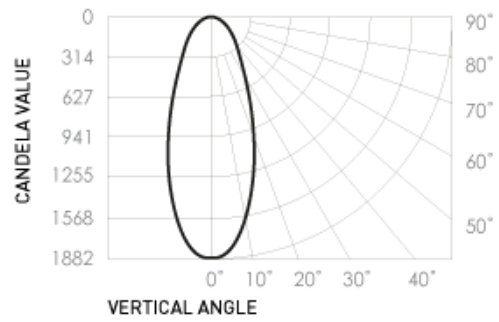
CRI: 97

Standard Deviation of colour matching (SDCM): 2MacAdams Steps



Source lumen output: 1415lm
 Delivered lumen: 920lm
 Efficacy: 56lm/W
 Colour temp.: 4000K
 Beam angle: 55°
 CRI: 97

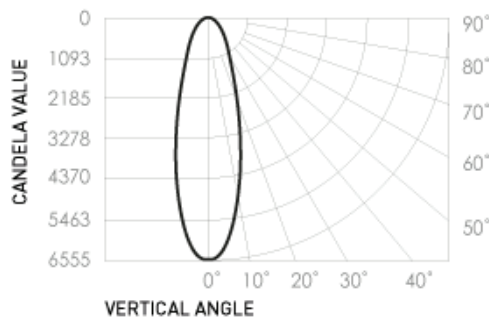
Standard Deviation of colour matching (SDCM): 2MacAdams Steps



Source lumen output: 1385lm
 Delivered lumen: 900lm
 Efficacy: 55lm/W
 Colour temp.: 3000K
 Beam angle: 45°
 CRI: 97

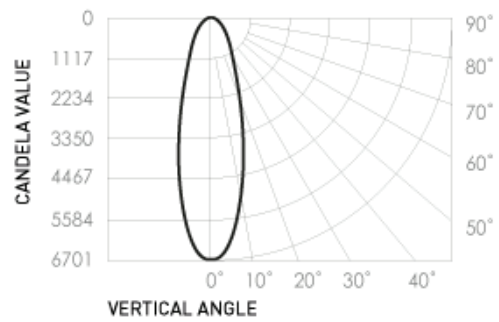
Standard Deviation of colour matching (SDCM): 2MacAdams Steps

Special Order Products



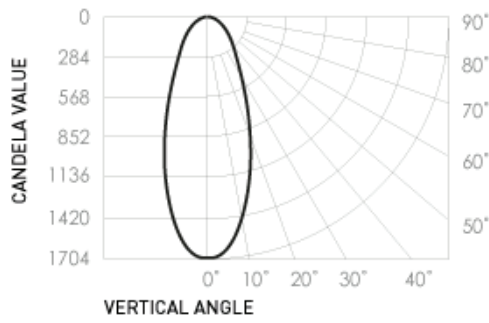
Source lumen output: 1385lm
 Delivered lumen: 900lm
 Efficacy: 55lm/W
 Colour temp.: 3000K
 Beam angle: 27 (Special Order)°
 CRI: 97

Standard Deviation of colour matching (SDCM): 2MacAdams Steps

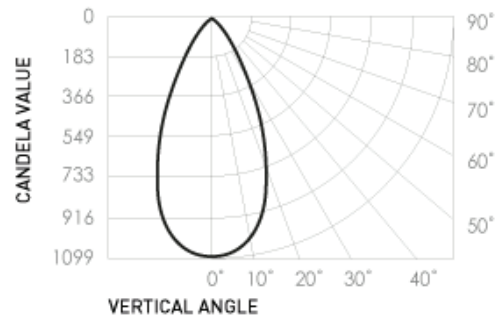


Source lumen output: 1415lm
 Delivered lumen: 920lm
 Efficacy: 56lm/W
 Colour temp.: 4000K
 Beam angle: 27 (Special Order)°
 CRI: 97

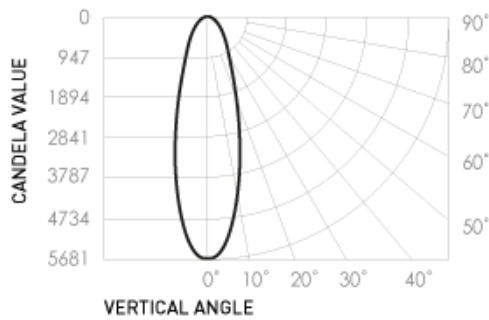
Standard Deviation of colour matching (SDCM): 2MacAdams Steps



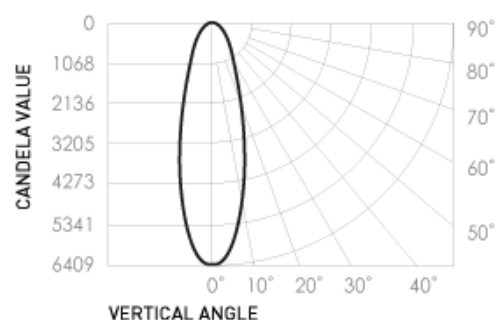
Source lumen output: 1255lm
 Delivered lumen: 815lm
 Efficacy: 49lm/W
 Colour temp.: 1.8K-3.1K (Night Shift) (Special Order)
 Beam angle: 45°
 CRI: 97
 Standard Deviation of colour matching (SDCM): 2MacAdams Steps



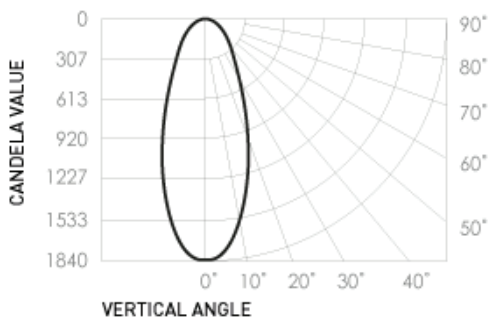
Source lumen output: 1255lm
 Delivered lumen: 815lm
 Efficacy: 49lm/W
 Colour temp.: 1.8K-3.1K (Night Shift) (Special Order)
 Beam angle: 55°
 CRI: 97
 Standard Deviation of colour matching (SDCM): 2MacAdams Steps



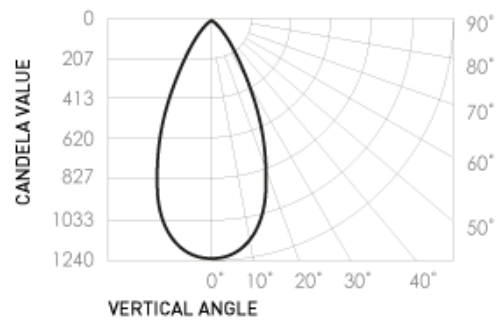
Source lumen output: 1255lm
 Delivered lumen: 815lm
 Efficacy: 49lm/W
 Colour temp.: 1.8K-3.1K (Night Shift) (Special Order)
 Beam angle: 27 (Special Order)°
 CRI: 97
 Standard Deviation of colour matching (SDCM): 2MacAdams Steps



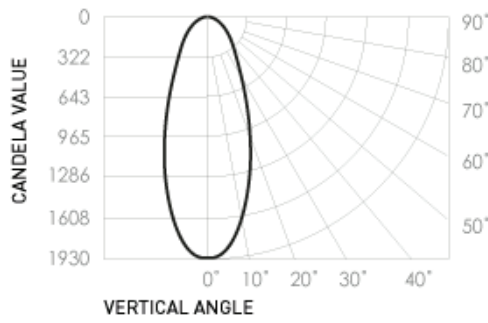
Source lumen output: 1355lm
 Delivered lumen: 880lm
 Efficacy: 53lm/W
 Colour temp.: 2700K (Special Order)
 Beam angle: 27 (Special Order)°
 CRI: 97
 Standard Deviation of colour matching (SDCM): 2MacAdams Steps



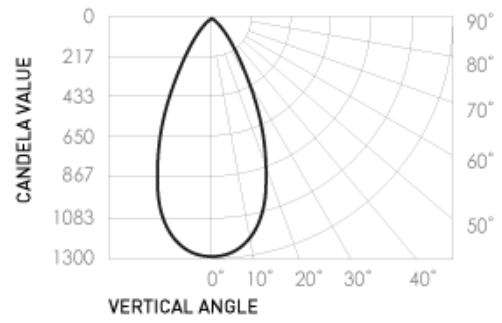
Source lumen output: 1355lm
 Delivered lumen: 880lm
 Efficacy: 53lm/W
 Colour temp.: 2700K (Special Order)
 Beam angle: 45°
 CRI: 97
 Standard Deviation of colour matching (SDCM): 2MacAdams Steps



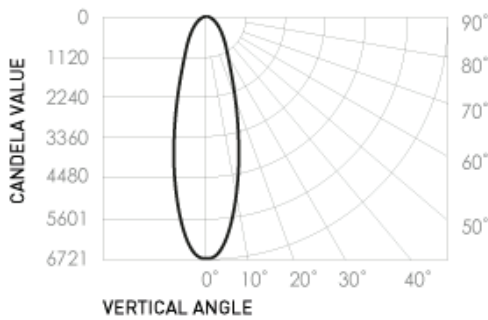
Source lumen output: 1355lm
 Delivered lumen: 880lm
 Efficacy: 53lm/W
 Colour temp.: 2700K (Special Order)
 Beam angle: 55°
 CRI: 97
 Standard Deviation of colour matching (SDCM): 2MacAdams Steps



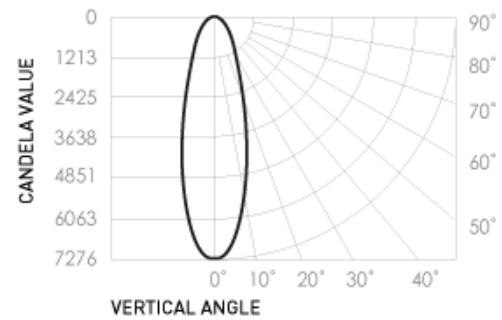
Source lumen output: 1420lm
 Delivered lumen: 925lm
 Efficacy: 56lm/W
 Colour temp.: 2.8K - 5.8K (Dayshift)(Special Order)
 Beam angle: 45°
 CRI: 97
 Standard Deviation of colour matching (SDCM): 2MacAdams Steps



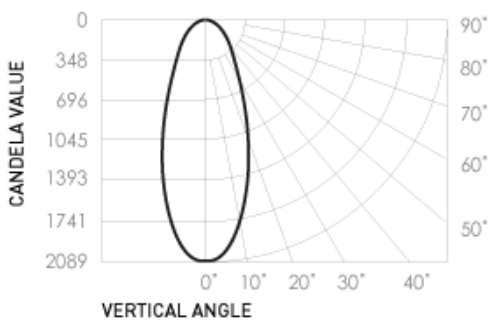
Source lumen output: 1420lm
 Delivered lumen: 925lm
 Efficacy: 56lm/W
 Colour temp.: 2.8K - 5.8K (Dayshift)(Special Order)
 Beam angle: 55°
 CRI: 97
 Standard Deviation of colour matching (SDCM): 2MacAdams Steps



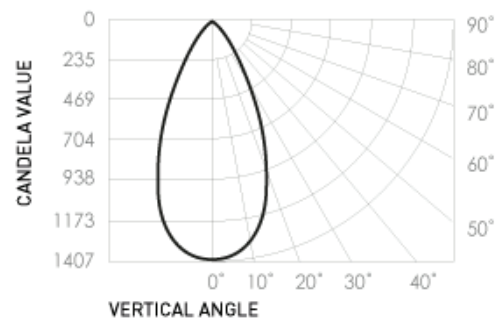
Source lumen output: 1420lm
 Delivered lumen: 925lm
 Efficacy: 56lm/W
 Colour temp.: 2.8K - 5.8K (Dayshift)(Special Order)
 Beam angle: 27 (Special Order)°
 CRI: 97
 Standard Deviation of colour matching (SDCM): 2MacAdams Steps



Source lumen output: 1540lm
 Delivered lumen: 1000lm
 Efficacy: 61lm/W
 Colour temp.: 5000K (Special Order)
 Beam angle: 27 (Special Order)°
 CRI: 97
 Standard Deviation of colour matching (SDCM): 2MacAdams Steps



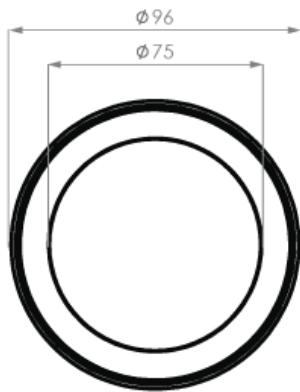
Source lumen output: 1540lm
 Delivered lumen: 1000lm
 Efficacy: 61lm/W
 Colour temp.: 5000K (Special Order)
 Beam angle: 45°
 CRI: 97
 Standard Deviation of colour matching (SDCM): 2MacAdams Steps



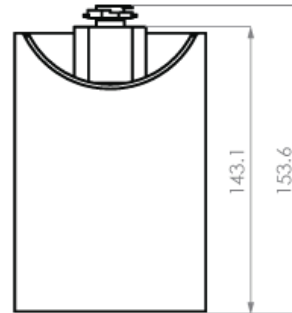
Source lumen output: 1540lm
 Delivered lumen: 1000lm
 Efficacy: 61lm/W
 Colour temp.: 5000K (Special Order)
 Beam angle: 55°
 CRI: 97
 Standard Deviation of colour matching (SDCM): 2MacAdams Steps

Dimensions (mm)

Front view



Side view



Electrical

Input voltage: 220-240V	Power usage: 16.5W	Driver power factor: >0.9	IP rating: IP44	Surge protection: 3100V
Dimmable: Yes	Driver: DRV900S:350-13 BG-018SMART-500mA-ROUND-DS			

Operational

Operating temp.: -30 to 81°C	Average temp.: 56°C	Ambient temp.: -28 to 70°C	Lifetime L70, B10: 70,000 hrs (@TA25)	Source Lumens: 1415lm or 1255lm or 1385lm or 1420lm or 1540lm or 1355lm
SDCM: 2MacAdam Steps				

Physical

Weight: 700g	Gimbal angle: 90°/360°	Warranty: 7 years	Type: H-Track or Eurotrack	Version: 1.5
------------------------	----------------------------------	-----------------------------	--------------------------------------	------------------------

Compatibility

Recommended Dimmers:

Compatible with leading home automation systems and dimmers.

Recommended Dimmers:

Universal, Trailing Edge, Leading Edge.
Dali option available on request.

*For more details please refer to:
<https://brightgreen.com/digital-driver>
All systems are unique, please
call 1300 672 499 for advice on your installation.

Brightgreen Smart Lighting:

Dimmable LED driver utilises Zigbee 3.0 protocol

Compatible with universal Zigbee Hub products such as Philips Hue
Samsung Smart Things.

Follow pairing procedure found in smart driver datasheet
2.8K-5.8K CCT (Dayshift) can only be controlled using a SMART driver.

*For more details please call 1300 672 499 for advice on your installation.

Installation



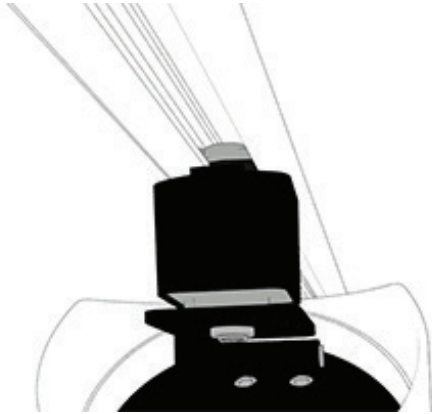
Step 1

Align the track connector with the track.

Step 2

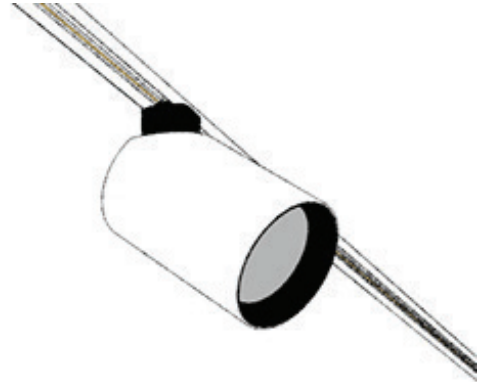
Insert the fitting into the track channel.

Installation



Step 3

Twist the track base in order to lock the fitting into the track channel. The direction of the twist is dependent on where the contact points are in the track.



Step 4

Once the light is locked into the track, orient the luminaire to focus the light as required.