

# W2000.SU Linear LED Light

## Datasheet



**TRU-COLOUR®**

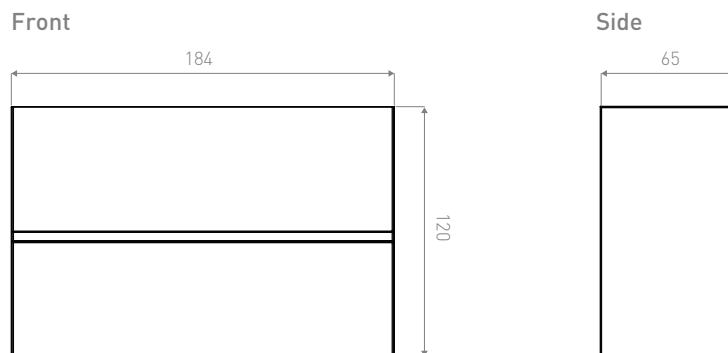
### Product Codes

<b>Unit:</b> W2000.SU	<b>Family:</b> LN	<b>Colour temp. (K):</b> 2700K 3000K 4000K	<b>Beam Angle:</b> AS (Asymmetric)	<b>Finish:</b> White (W) Black (B)	<b>Driver:</b> PHASE DALI ZIGBEE 0-10V
--------------------------	----------------------	---	---------------------------------------	--	--

### Photometrics

<b>Delivered lumen:</b> 1560lm	<b>Efficacy:</b> 78lm/W	<b>CRI:</b> CRI97+
-----------------------------------	----------------------------	-----------------------

### Dimensions (mm)

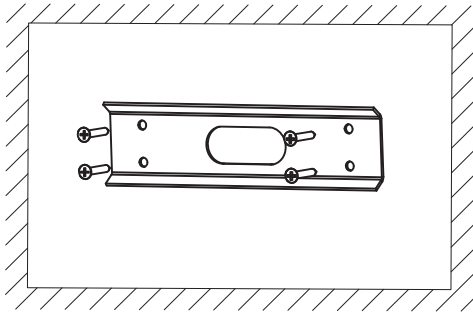


### Electrical

<b>Input Voltage:</b> AC220-240V 50/60hz	<b>Power Usage:</b> 20W	<b>Driver Power Factor:</b> >0.9	<b>IP rating:</b> IP20	<b>Surge Protection:</b> 3100V
<b>Dimmable:</b> Yes				

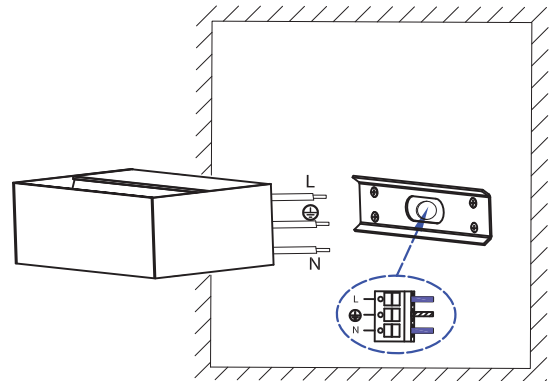
### Operational

<b>Ambient Temp.:</b> -20°C - 60°C	<b>Lifetime:</b> 35000-50000hrs	<b>Warranty:</b> 7 years
---------------------------------------	------------------------------------	-----------------------------



### Step 1

Attach the lamp base onto the wall using screws.



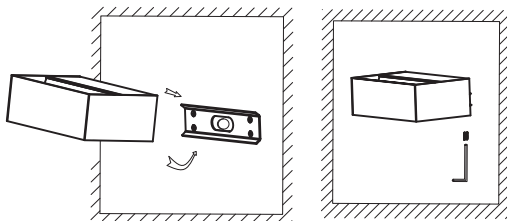
### Step 2

Thread the electrical wires and attach it to the light.

Brown wire - Live wire

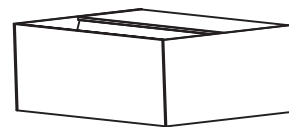
Blue wire - Neutral wire

Yellow and green wire - Ground wire



### Step 3

Attach the lamp fixture to the lamp base and secure with the screw.



### Step 4

Installation complete.