

CH15 Linear LED Cabinet

Datasheet

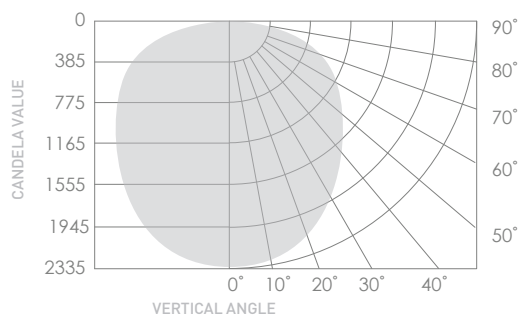


Product codes

Product name:	Length:	Family:	Circuit Wattage:	Colour temp:	Beam angle:	Body:	Driver:
CH15	1.2m xx	LN	7W/m	3K 4K	DF120	Silver	ND

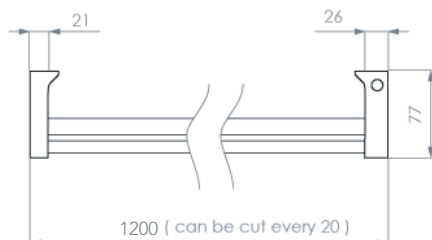
Photometrics

CCT: 3000K
Total Circuit Efficacy: 103lm/W
Source lumens output (7W/m): 720lm/m



Dimensions (mm)

Front view



Side view



Electrical

Length	1.2m	xx
Power Usage	865lm/ 890lm	W*(103lm/W 105lm/W)
7W/m	8.4W	W=7W/m*xx

Dimmable: Yes
Power Usage: 7W/m
Driver power factor: >0.9
Input voltage: 220-265V
IP rating: IP44
Surge protection: 3100V

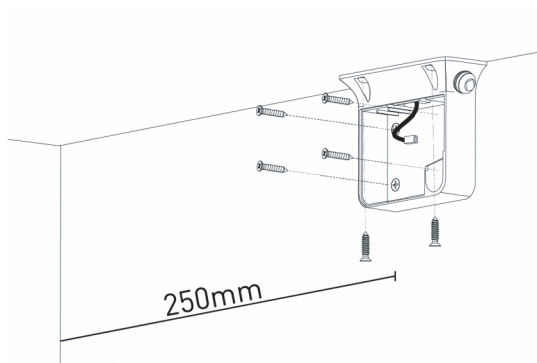
Operational

Operating temp.: -30 to 85°C
Ambient temp.: -28 to 55°C
Lifetime: L70 B10 = 50,000hrs
L50 = 80,000hrs
Warranty: 7 years of luminaire warranty
& 5 years of driver warranty

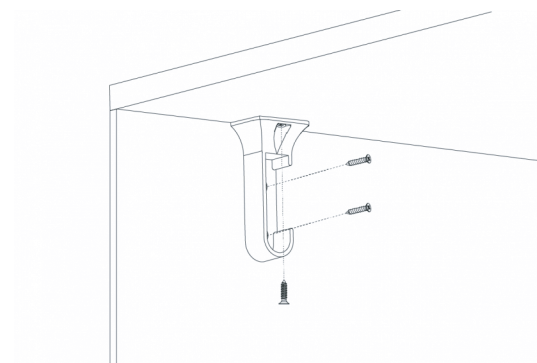
Compatibility

Dimming:
Non-Dimmable (ND)

Installation

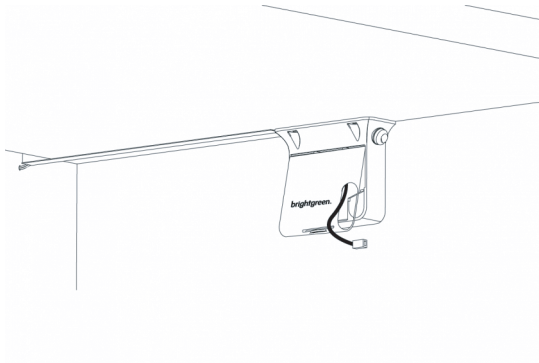


Step 1
Detach the cover from the large mounting bracket and fasten to the right wall and ceiling with the 6 screws provided. Ensure it is mounted at least 250mm from the rear wall.



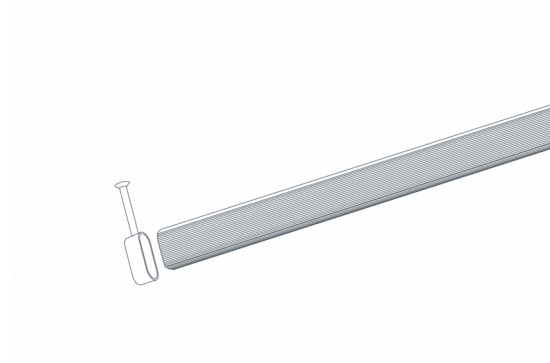
Step 2
Fasten the smaller mounting bracket to the left wall and ceiling. Ensure it is spaced the same distance away from the rear wall

Installation



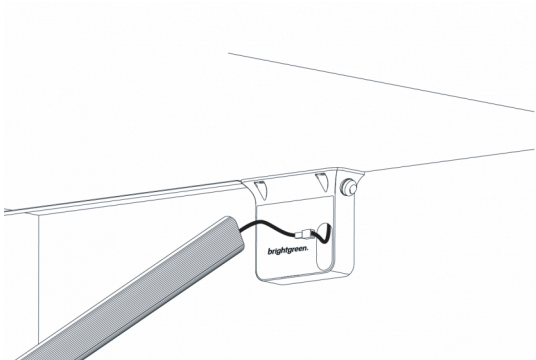
Step 3

Reattach the cover to the Large mounting bracket ensuring the cable is threaded through the hole in the cover.



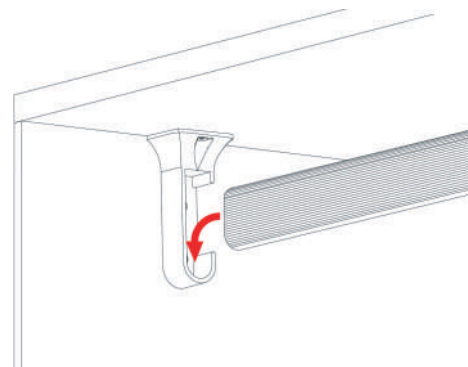
Step 4

Slide the central mounting bracket to the middle of the light bar. Ensure the threaded rod section is on the opposite side of the diffuser



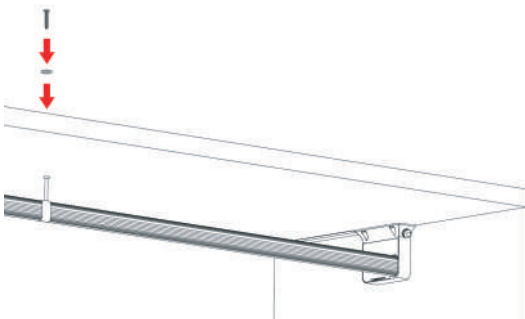
Step 5

Connect the cable extending from the light bar to the cable in the large mounting bracket, thread the cable back inside the bracket and press the light bar into the slot.



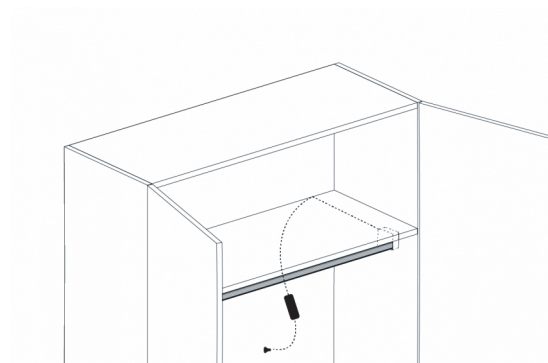
Step 6

Place the other end of the light rod into the smaller mounting bracket on the left, by rotating it up from behind.



Step 7

Ensure the central mounting bracket is in the middle of the light rod and affix to the ceiling with the screw and washer provided.



Step 8

Remotely mount the driver by routing the cable to the rear, and then plug the driver into a general power outlet (GPO)

Maximum Load Hanger:

1.2m = 30kgs