

S10.X Linear LED strip light

Datasheet



Product codes

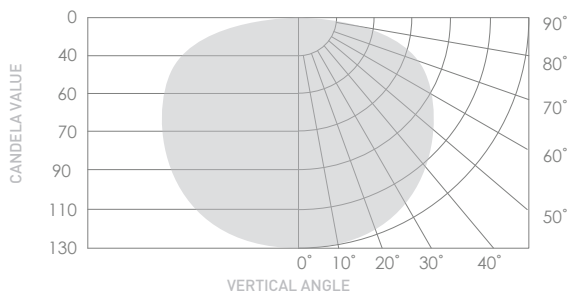
Unit: S10.X.1.0m S10.X.5.0m	Series: LN	Colour temp. (K): 3K 4K	Beam angle (°): DF180	Colour: W (White)
--	----------------------	--------------------------------------	---------------------------------	-----------------------------

Optional Aluminium Extrusion:
COM-S10.X-MOUNTCLIP-1000m

Photometrics

CCT: 3000K
Efficacy: 41lm/W
Lumen output: 410lm/m

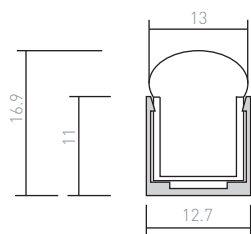
CCT: 4000K
Efficacy: 43lm/W
Lumen output: 425lm/m



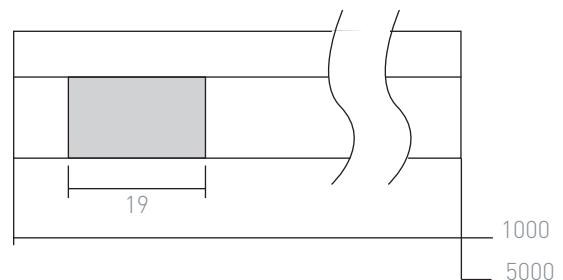
Beam angle: DF180°

Dimensions (mm)

Front view LED Strip



Side view LED Strip



Electrical

Power Usage	Length	1m	5m
	CCT		
10W/m	3K	410lm	2050lm
10W/m	4K	425lm	2125m

LED input voltage:
24V

Power usage:
10

IP rating:
IP67

Operational

Operating temp.:
-20 to 50°C

Average temp.:
60°C

Lifetime:
50,000hrs

Warranty:
7 years of luminaire warranty
& 5 years of driver warranty

Compatibility

Drivers:
BG-030SD
BG-080SD
BG-150SD

Dimmable:
Yes

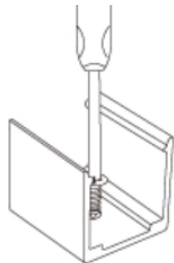
Driver input voltage:
180-265V

Surge protection:
3100V

Driver power factor:
>0.9

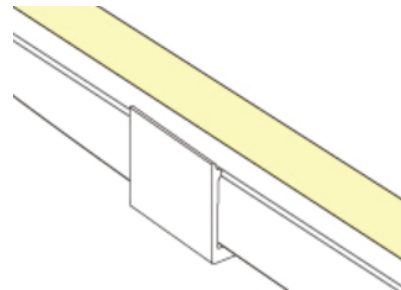
*For more details please refer to:
<https://brightgreen.com/digital-driver>
All systems are unique, please
call 1300 672 499 for advice on your installation.

Installation



Step 1

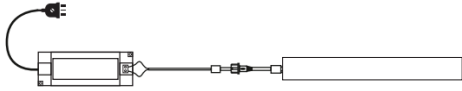
Attach the provided mounting clips to the top of the cavity with the provided screws



Step 2

Fasten the luminaire to the wall using the provided screws.

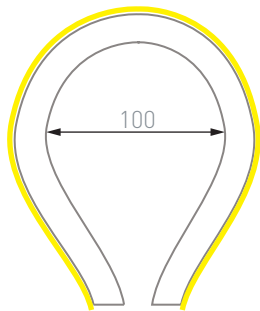
Installation



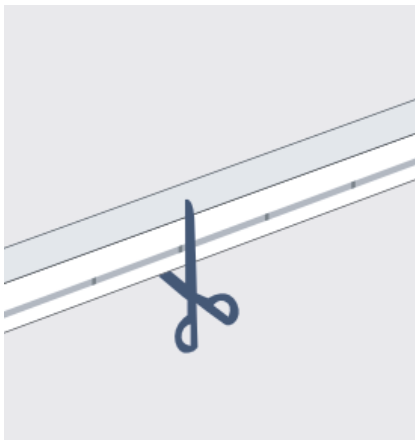
Step 3

Wire the strip into the driver using the terminal block. Plug the driver into a mounted general power outlet (GPO) in the ceiling.

Optional

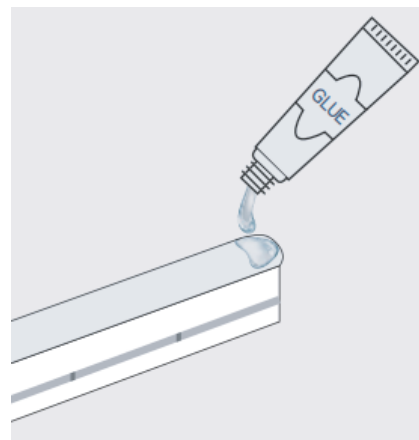


Fold the strip, the minimum bending diameter is 100mm.



Step 1

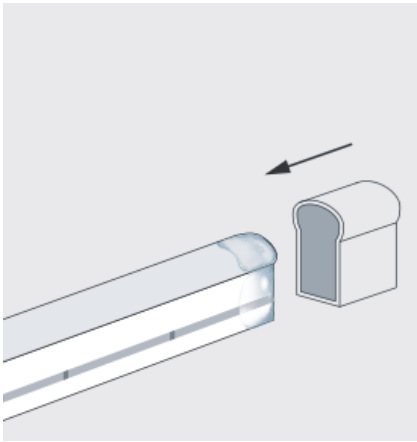
Cut the appropriate place
(Max distance between cuts is 50mm).



Step 2

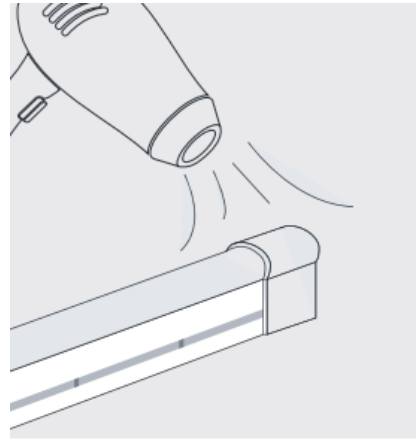
Apply glue to the section uniformly after cutting.

Optional



Step 3

Insert the section into the plug according to direction of arrow.



Step 4

Dry the joint with a heat gun or hair dryer until the plug and the section are firm.