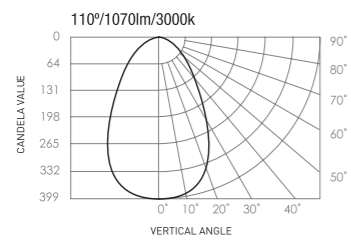


W900 IPS Cube LED wall light

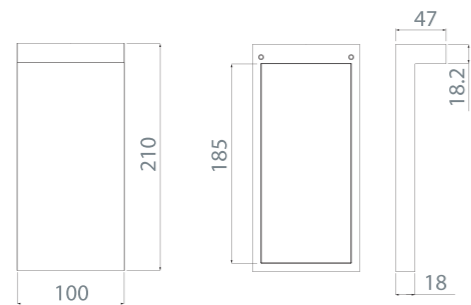


Electrical:	Circuit Wattage: 19.2W	Delivered Light Efficacy: 56lm/W	Dimming: No	Longevity: L70 = 70,000 Hrs
Optical:	Delivered Lumens: 1070lm	Colour Temperature: 3000K (3K)	Beam Angle: 110°	Tru-Colour: Yes
Physical:	Hole Cutout: N/A	Gimbal Angle: N/A	Warranty: 3 years of luminaire warranty	IP Rating: IP54
	Type: Wall light	Body Colour: ● Black (B)	Fascia Colour: N/A	Fascia Style: N/A

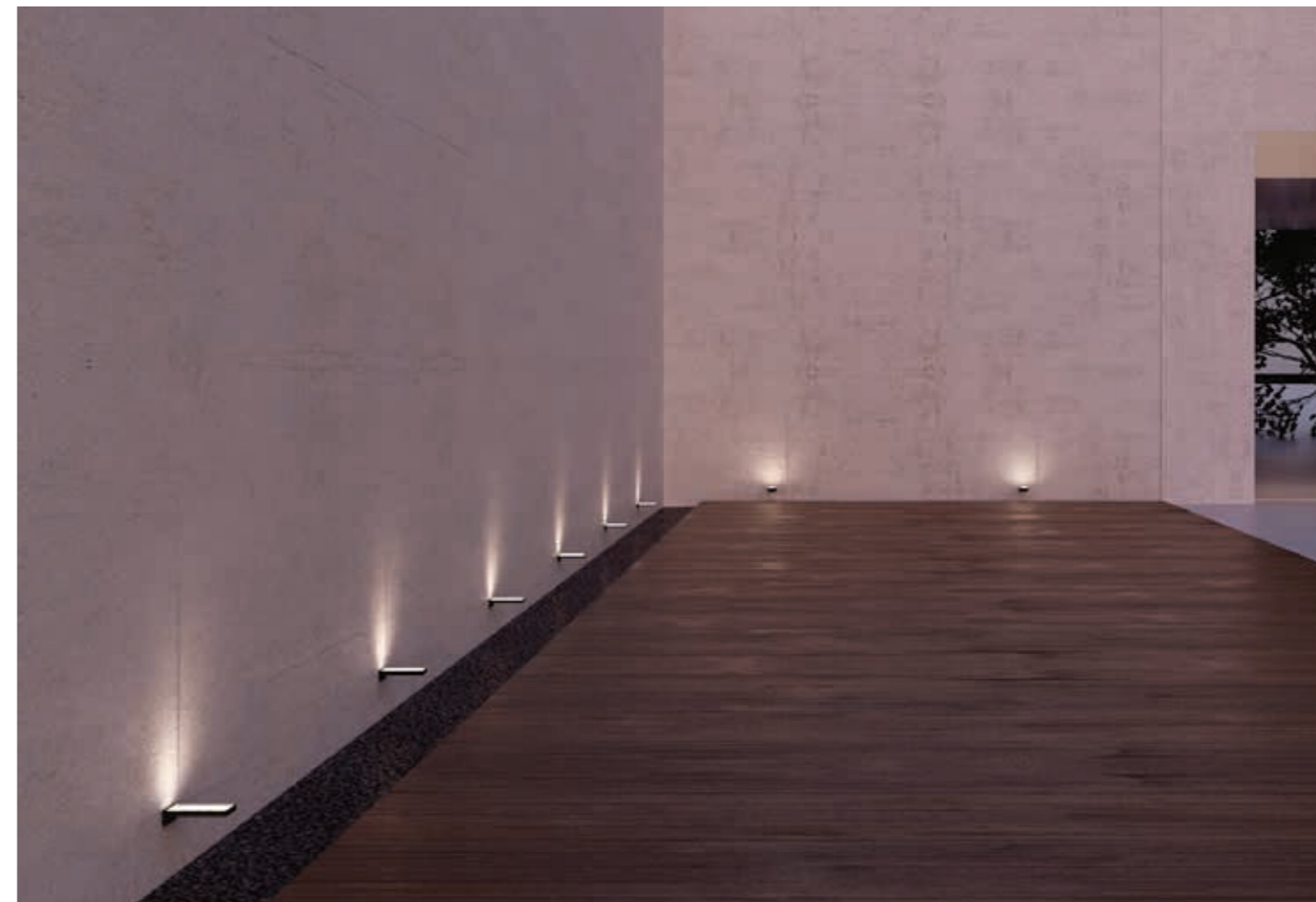
Photometrics:



Dimensions:



Specifying Product:	Product Name	Family	Colour Temp.	Beam Angle	Body Colour	Version No.	Eg. Product Code
	W900.IPS	CB	3K	110°	Black	1.0	W900.IPS-CB-3K-110-B-1.0



•W900 IPS-CB has a single integrated indirect soft light source with 110° beam angle. Light bounces off the wall providing an up or down illumination.